

ORT  TECSA

MANUFACTURERS SINCE 1979

MANUFACTURERS SINCE 1979

ELECTRIC BEDSERIES



Product ///

CATALOG

01-12 ● Electric Bed Series

13-18 ● Manual Bed Series

ORT-D8688K

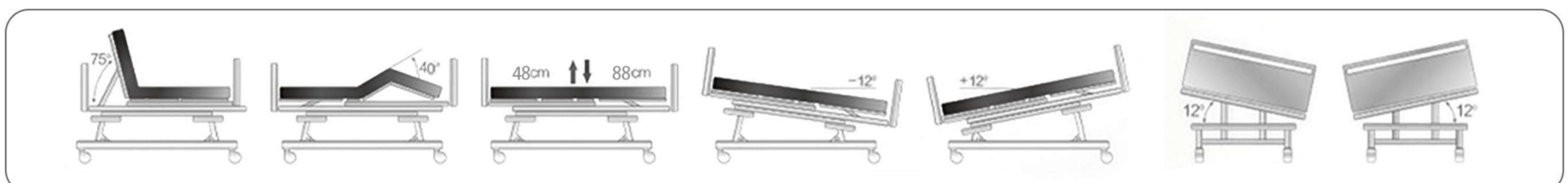
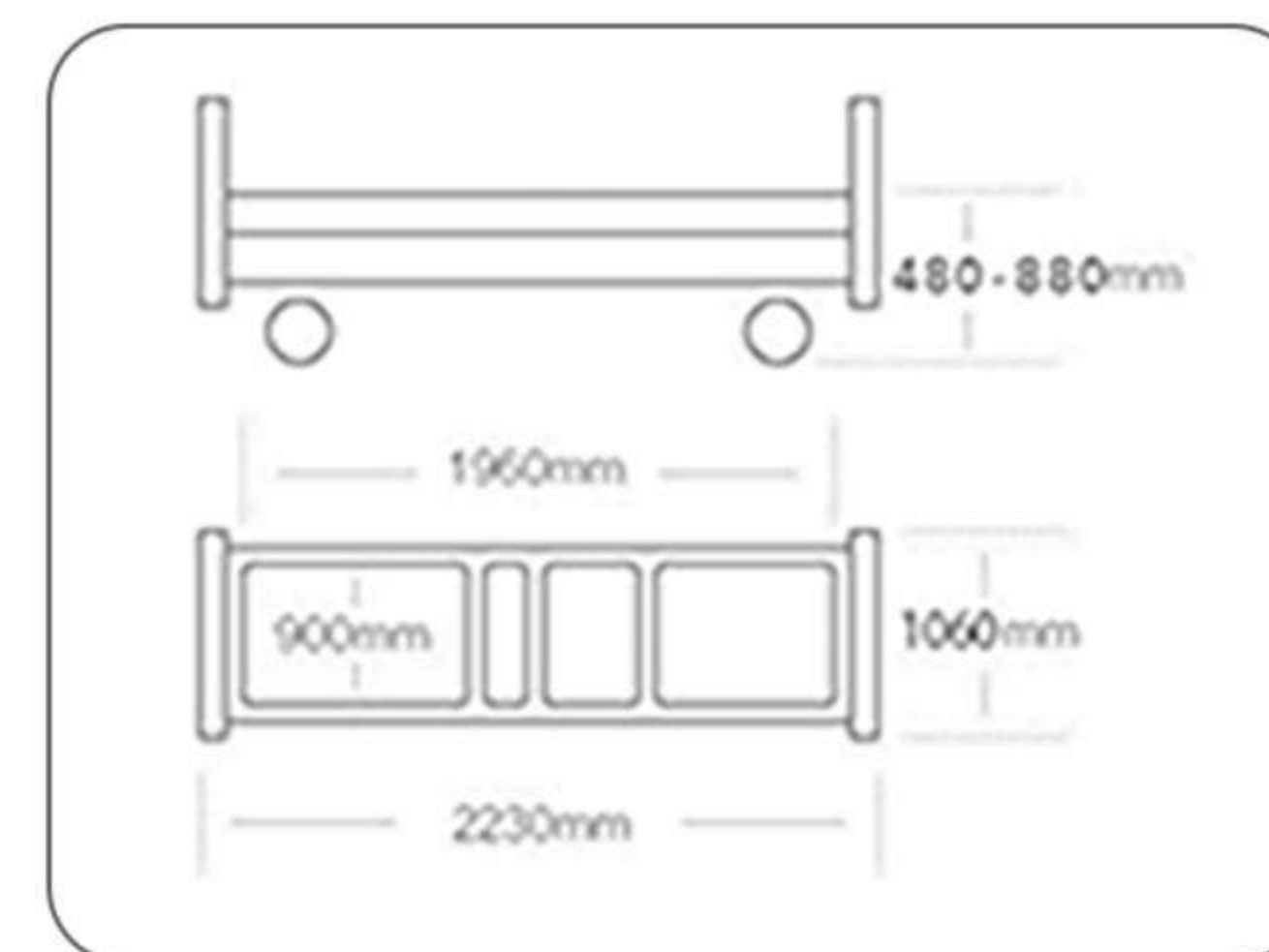
Deluxe ICU / CCU Bed

Main Functions:

- Backrest max upward angle: 75°
- Footrest max upward angle: 40°
- Height is adjustable: 480-880mm
- Max Revere- Trendelenburg 0-12°
- Max Trendelenburg 0-12°
- Lateral Tilt Left 0-15°
- Lateral Tilt Right 0-15°
- Bed extension (150mm)
- Auto counter function
- Auto regress function
- Manual CPR release
- Cardiac chair position function
- Embedded railing control on both side
- LCD Screen Nurse Controller Pad
- Weighing scale system
- Bed exit alarm
- Battery backup

Options:

- Anti-decubitus mattress
- X-ray translucent platform
- Rehabilitation function
- Electric bed extension
- Bed exit alarm
- Caster brake alarm
- Night light
- Balkan frame
- Lifting pole



ORT-D5618K(V)

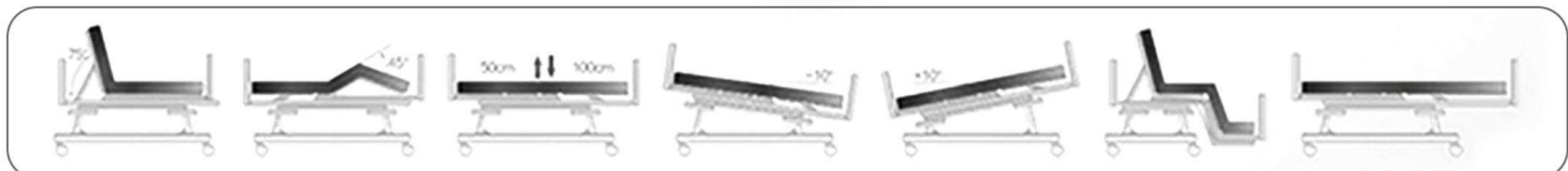
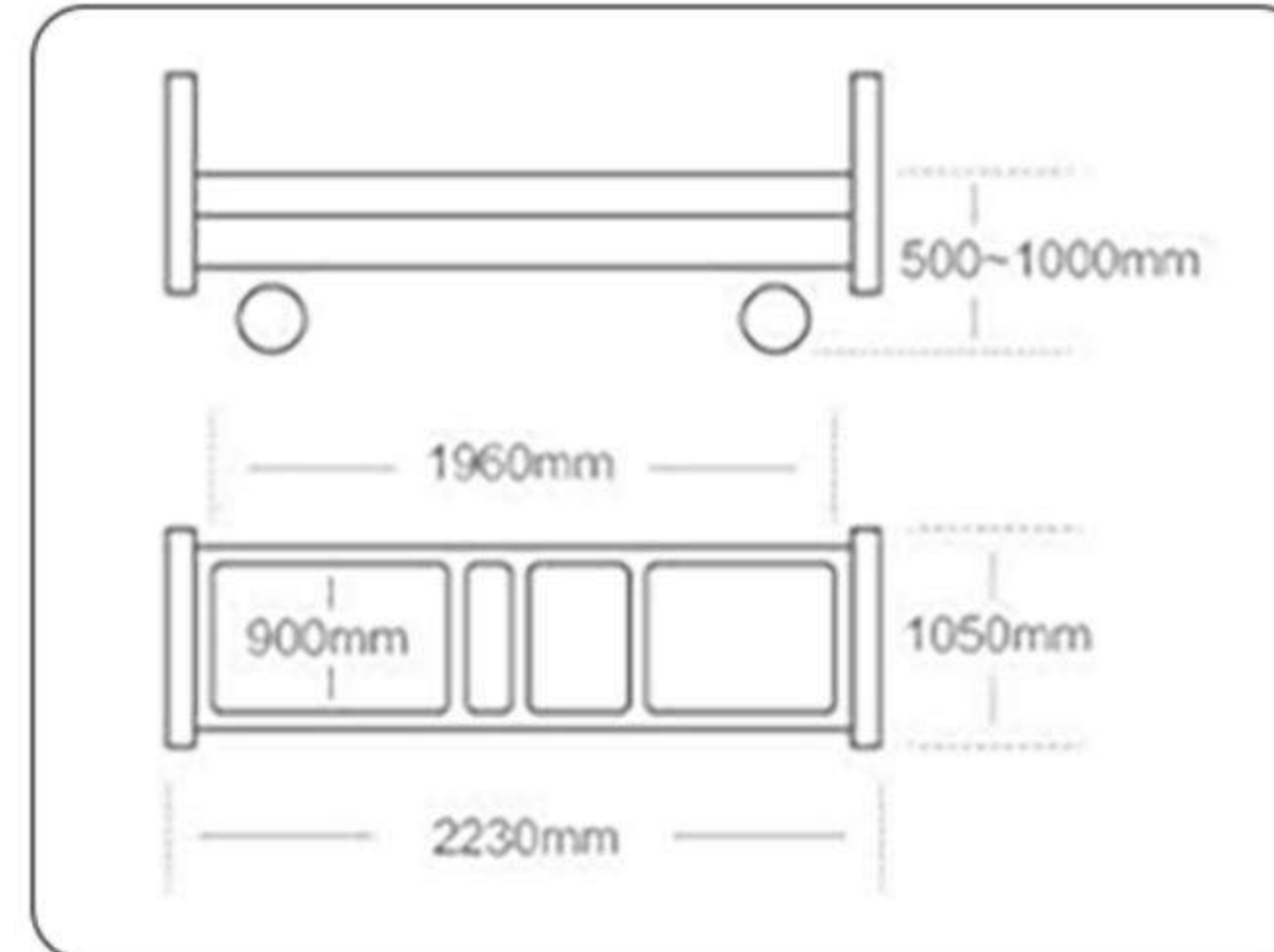
Bariatric Bed

Main features

- One button electric CPR
- Bed extension
- Battery backup
- Steering function by fifth wheel
- MS perforated platform with ventilation hole, moulded
- Steering function to manipulate the bed by one person
- ABS head/foot board, detachable
- ABS tuck-away side rail, 4 pieces
- Embedded railing control with nurse lock
- Heavy duty caster, dual sides with diameter of 150mm & Central brake system
- Bumper caster on four corners
- Auto-counter
- I.V. pole
- Urine bag hook

Options

- Accurate weighing scale
- Bed exit alarm
- Lifting pole
- Auto-regress
- ACP (nurse controller) hanging on foot board
- Night light



ORT-D5638K

Five Function Electric ICU Bed

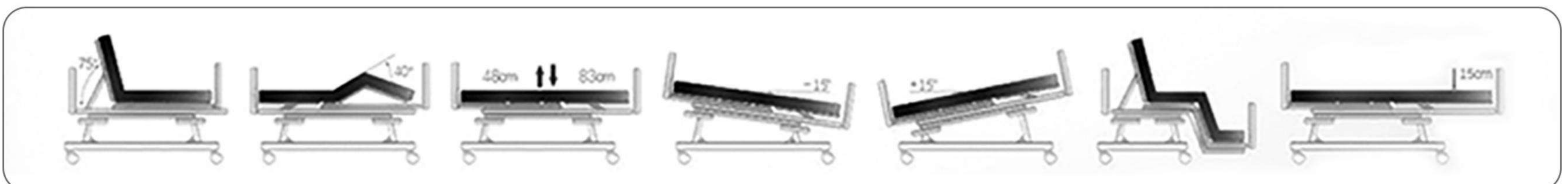
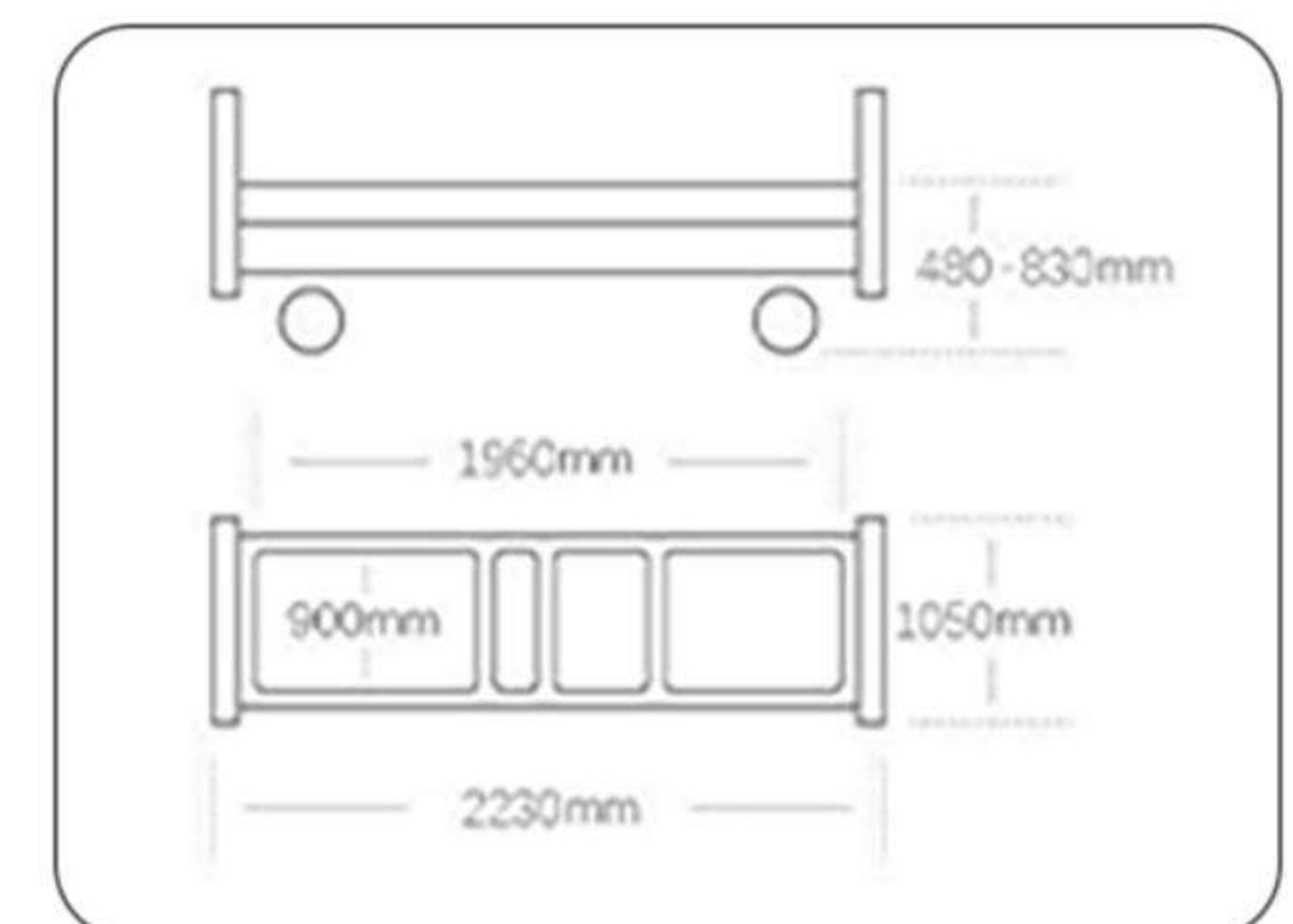


Main Functions:

- Backrest max upward angle: 75°
- Footrest max upward angle: 40°
- Height adjustable: 480-830mm
- Max Revere- Trendelenburg 0-15°
- Max Trendelenburg 0-15°
- Auto counter function
- Auto regress function
- Manual CPR release
- Cardiac chair position function
- Embedded railing control on both side
- Battery backup

Options

- Weighing scale system
- Anti-decubitus mattress
- X-ray translucent platform
- Rehabilitation function
- ACP(nurse controller)
- Bed extension (150mm)
- Bed exit alarm
- Night light
- Balkan frame
- Lifting pole



ORT-D5628K(I)

Five Function Electric ICU Bed



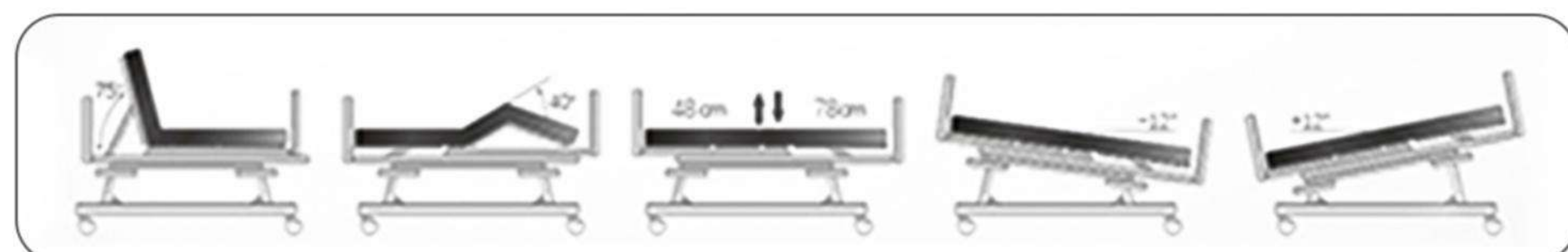
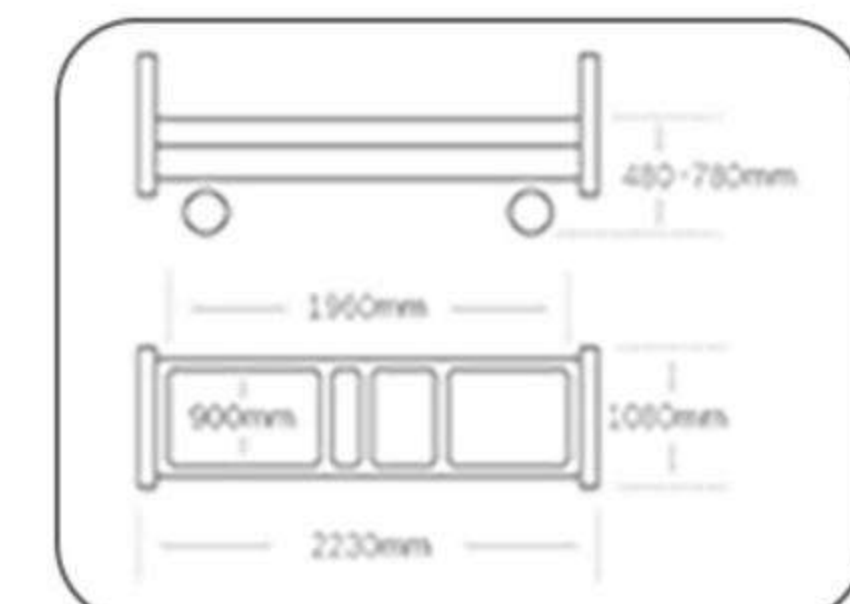
Main Functions:

- Bed various position achieved by four motor
- Backrest max upward angle: 75°
- Footrest max upward angle: 40°
- Height adjustable: 480-780mm
- Max Reverse- Trendelenburg 0-12°
- Max Trendelenburg 0-12°
- Manual CPR release on both side
- Cardiac chair position function
- Angle indicator
- Battery backup

Options

- Anti-decubitus mattress
- Plastic sleeping surface
- X-ray translucent platform
- Bed extension (150mm)
- Embedded railing control on both side
- Embedded nurse controller on bed end
- Weighing scale system
- Bed exit alarm
- Utility shelf

ORT-D5628K(II)



ORT-D5638K(I)

Five Function Bed With Weighing Scale

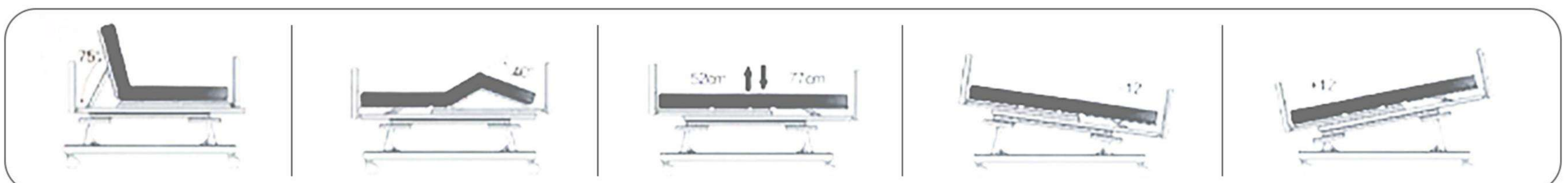
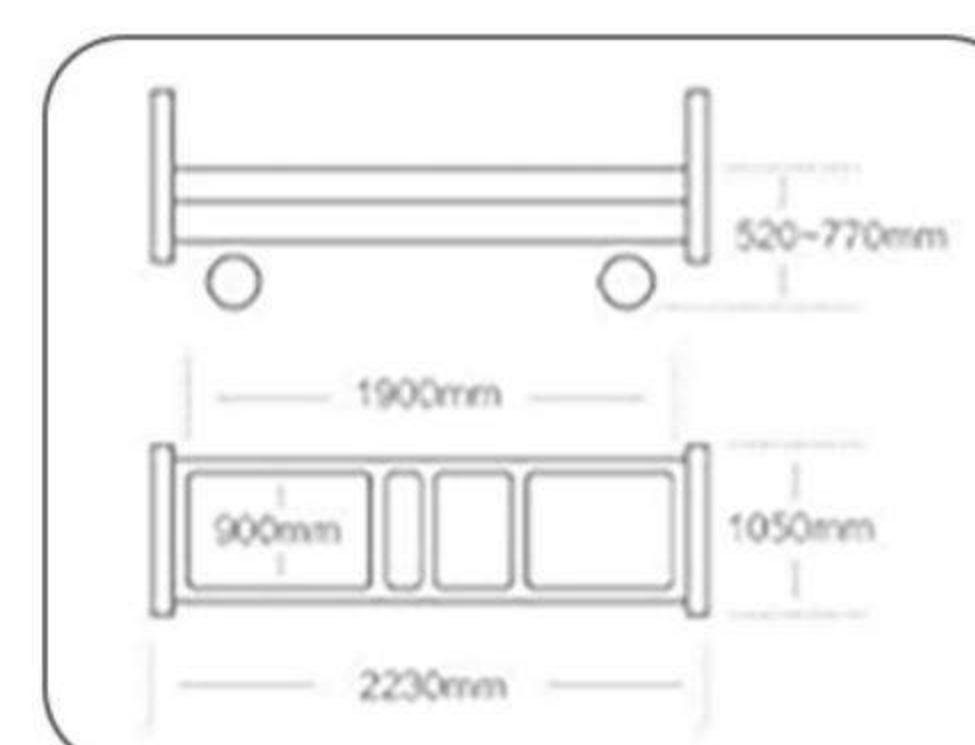


Main features

- Accurate weighing scale
- Bed exit alarm
- MS perforated platform with ventilation hole, moulded
- ABS soft connection between section joints
- ABS head/foot board, detachable
- ABS tuck-away side rail, 4 pieces
- Embedded railing control
- Embedded nurse control on the foot board
- Manual CPR release accessible on both sides
- Heavy duty caster, dual sides with diameter of 125mm
- Central brake system
- ABS base cover
- Battery backup
- Auto-counter
- I.V. pole
- Urine bag hook

Options

- Bed angle indicator
- One button electric CPR
- Bed extension
- X-ray translucent platform for radiology
- ABS removable sleeping platform
- Night light
- Steering function to manipulate the bed by one person
- Lifting pole
- Auto-regress



ORT-D5638K(III)

Five Function Electric ICU Bed

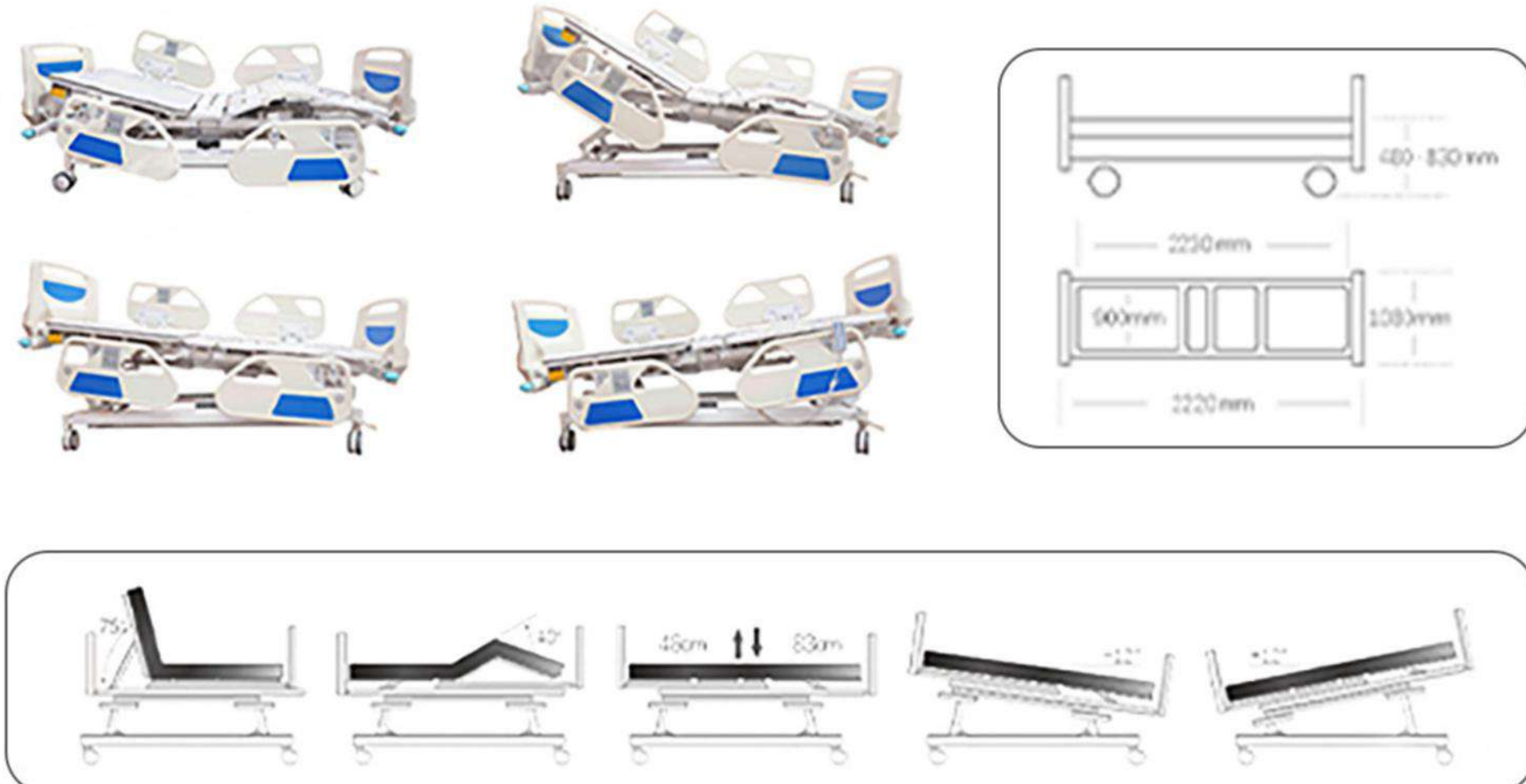


Main Functions:

- Bed various position achieved by four motor
- Backrest max upward angle: 75°
- Footrest max upward angle: 40°
- Height adjustable: 480-830mm
- Max Revere- Trendelenburg 0-12°
- Max Trendelenburg 0-12°
- Manual CPR release on both side
- Cardiac chair position function
- Embedded railing control on both side
- Embedded LCD screen control on bed end
- Weighing scale system
- Bed exit alarm
- Battery backup

Options

- Anti-decubitus mattress
- Plastic sleeping surface
- X-ray translucent platform
- Bed extension (150mm)
- Balkan frame
- Lifting pole
- Utility shelf



ORT-D5618K

Five Function Electric ICU Bed

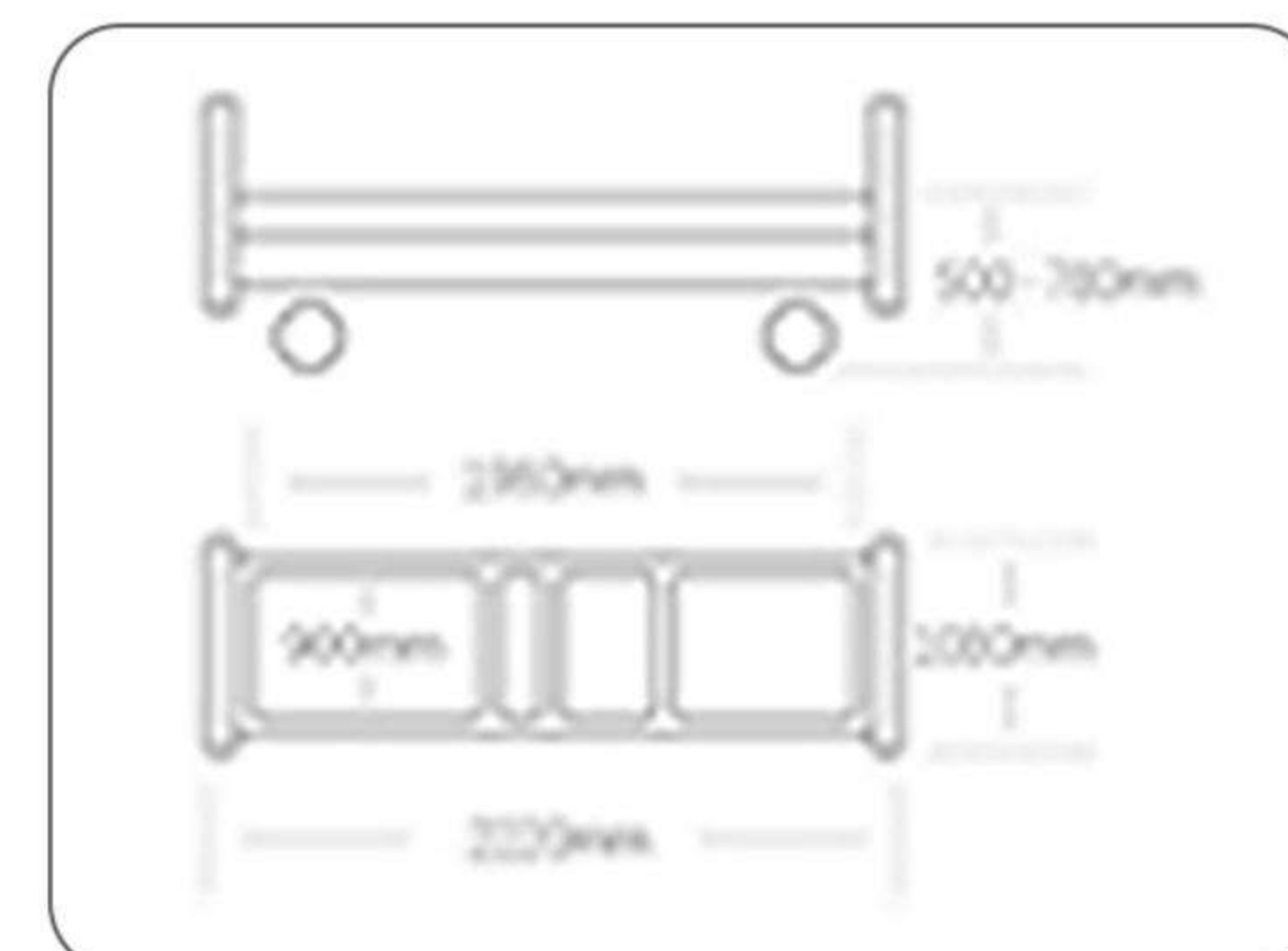
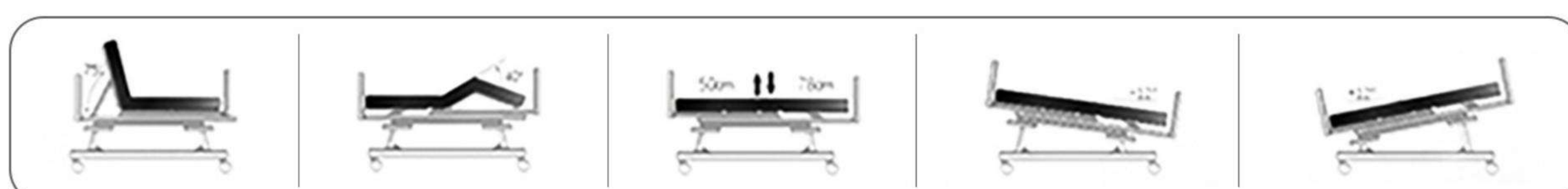


Main Functions:

- Backrest max upward angle: 75°
- Footrest max upward angle: 40°
- Height adjustable: 500-780mm
- Max Revere- Trendelenburg 0-12°
- Max Trendelenburg 0-12°
- Bed various position achieved by four motor
- Auto counter function
- Auto regress function
- Manual CPR release
- Cardiac chair position function
- Angle indicator
- Battery backup

Options

- Weighing scale system
- Plastic sleeping surface
- Anti-decubitus mattress
- X-ray translucent platform
- ACP(nurse controller)
- Bed extension (150mm)
- Bed exit alarm
- Balkan frame
- Lifting pole



ORT-D5618K(II)

Five Function Electric ICU Bed

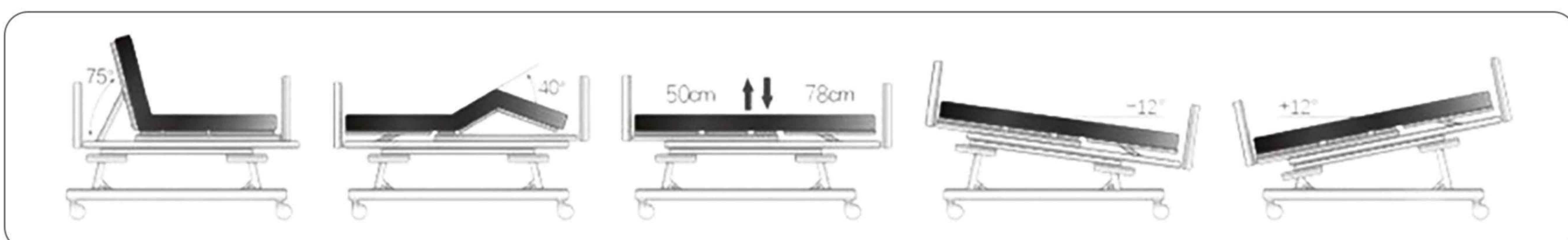
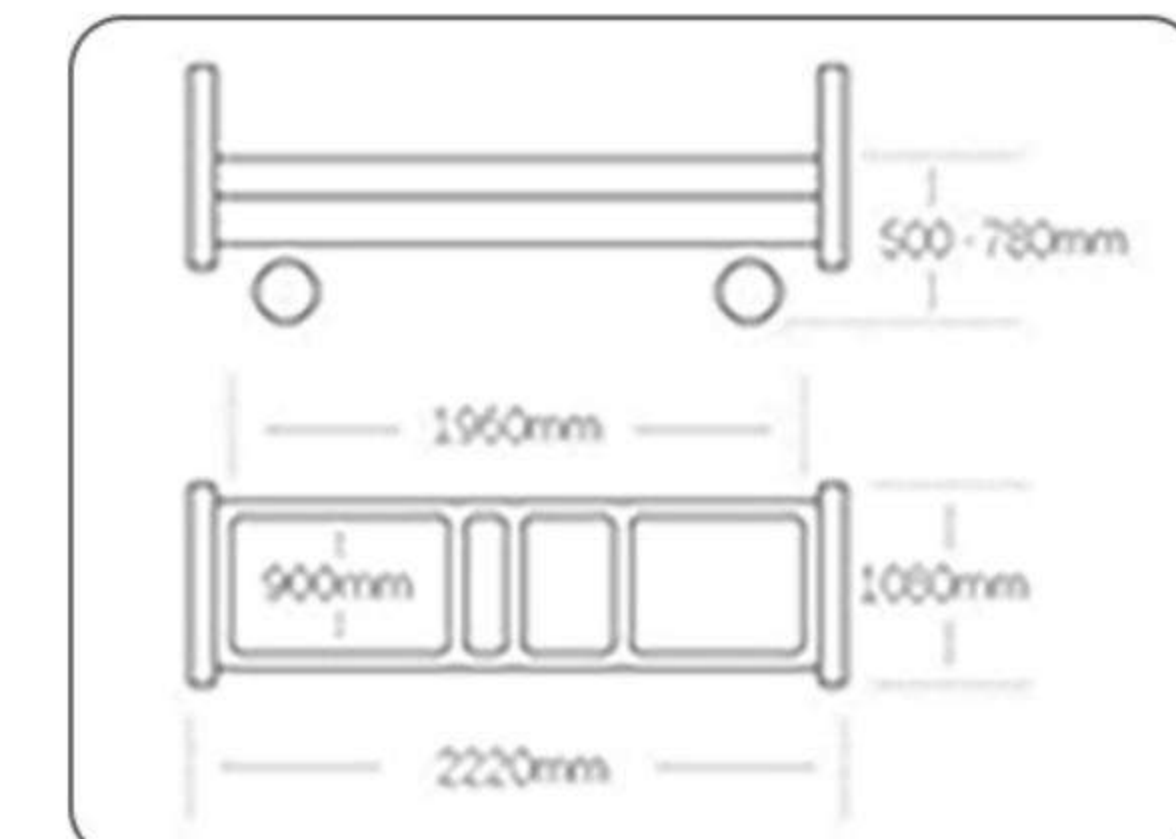


Main Functions:

- Backrest max upward angle: 75°
- Footrest max upward angle: 40°
- Height adjustable: 500-780mm
- Max Revere- Trendelenburg 0-12°
- Max Trendelenburg 0-12°
- Bed various position achieved by four motor
- Auto counter function
- Auto regress function
- Manual CPR release
- Cardiac chair position function
- Angle indicator
- Battery backup

Options

- Weighing scale system
- Plastic sleeping surface
- Anti-decubitus mattress
- X-ray translucent platform
- ACP(nurse controller)
- Bed extension (150mm)
- Bed exit alarm
- Balkan frame
- Lifting pole



ORT-D5618K(IV)

Five Function Electric Bed

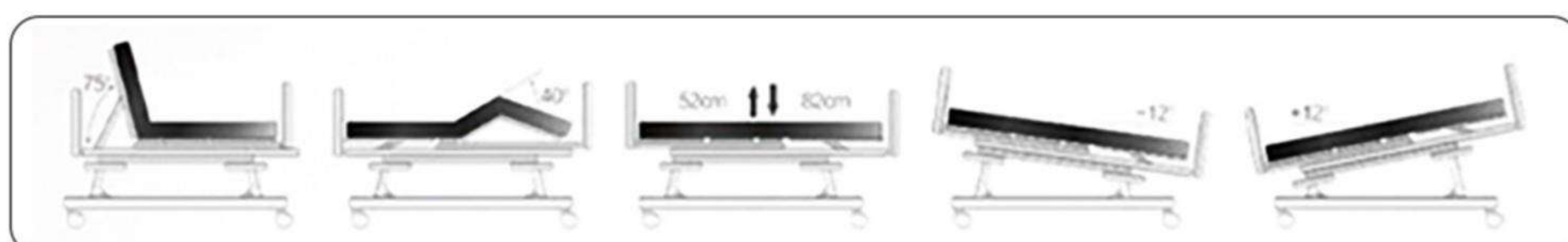
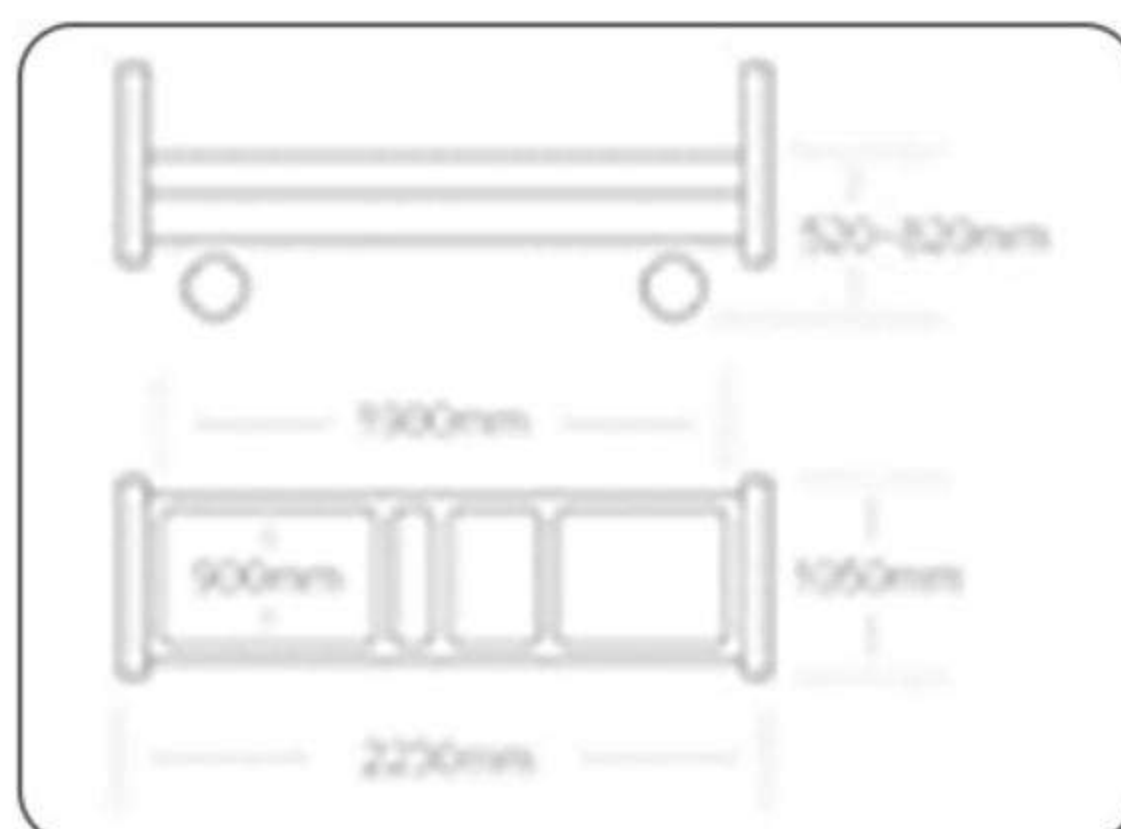


Main features

- ABS head/foot board, detachable
- ABS tuck-away side rail, 4 pieces
- Embedded railing control
- Manual CPR release accessible on both sides
- MS perforated platform with ventilation hole, moulded
- Heavy duty caster, dual sides with diameter of 125mm
- Central brake system
- ABS base cover
- Battery backup
- Auto-counter
- I.V. pole
- Urine bag hook

Options

- Accurate weighing scale
- Bed exit alarm
- Embedded nurse control on the foot board
- ACP (nurse controller) hanging on foot board
- Bed angle indicator
- One button electric CPR
- Bumper caster on four corners
- ABS soft connection between the section joints
- Bed extension
- X-ray translucent platform for radiology
- ABS removable sleeping platform
- Night light
- Steering function to manipulate the bed by one person
- Lifting pole
- Auto-regress



D6R



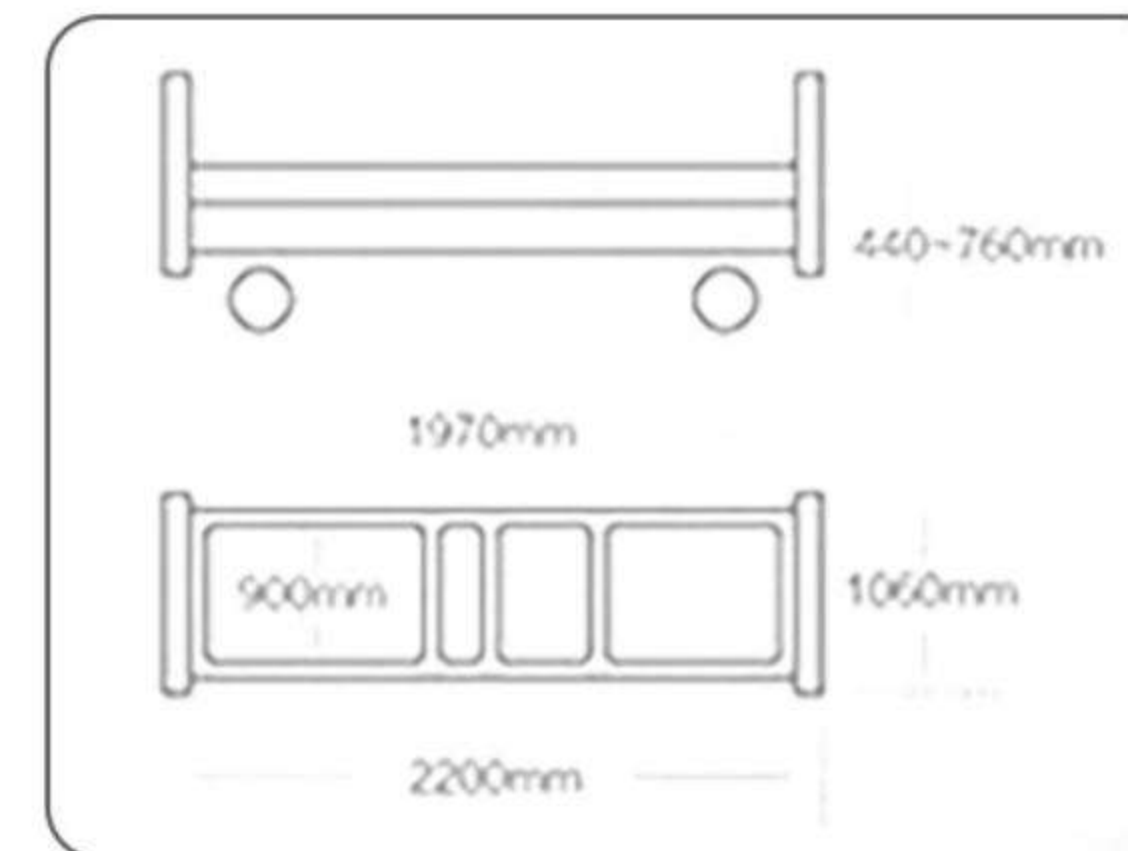
ORT-D5638K(III)

Five Function Electric Bed



Main features

- ABS head/foot board, detachable
- ABS tuck-away side rail, 4 pieces
- Embedded railing control
- Bed angle indicator
- Manual CPR release accessible on both sides
- MS perforated platform with ventilation hole, moulded
- Heavy duty caster, dual sides with diameter of 125mm
- Bumper caster on four corners
- Central brake system
- ABS base cover
- ABS soft connection between the section joints
- Battery backup
- Auto-counter
- I.V. pole
- Urine bag hook

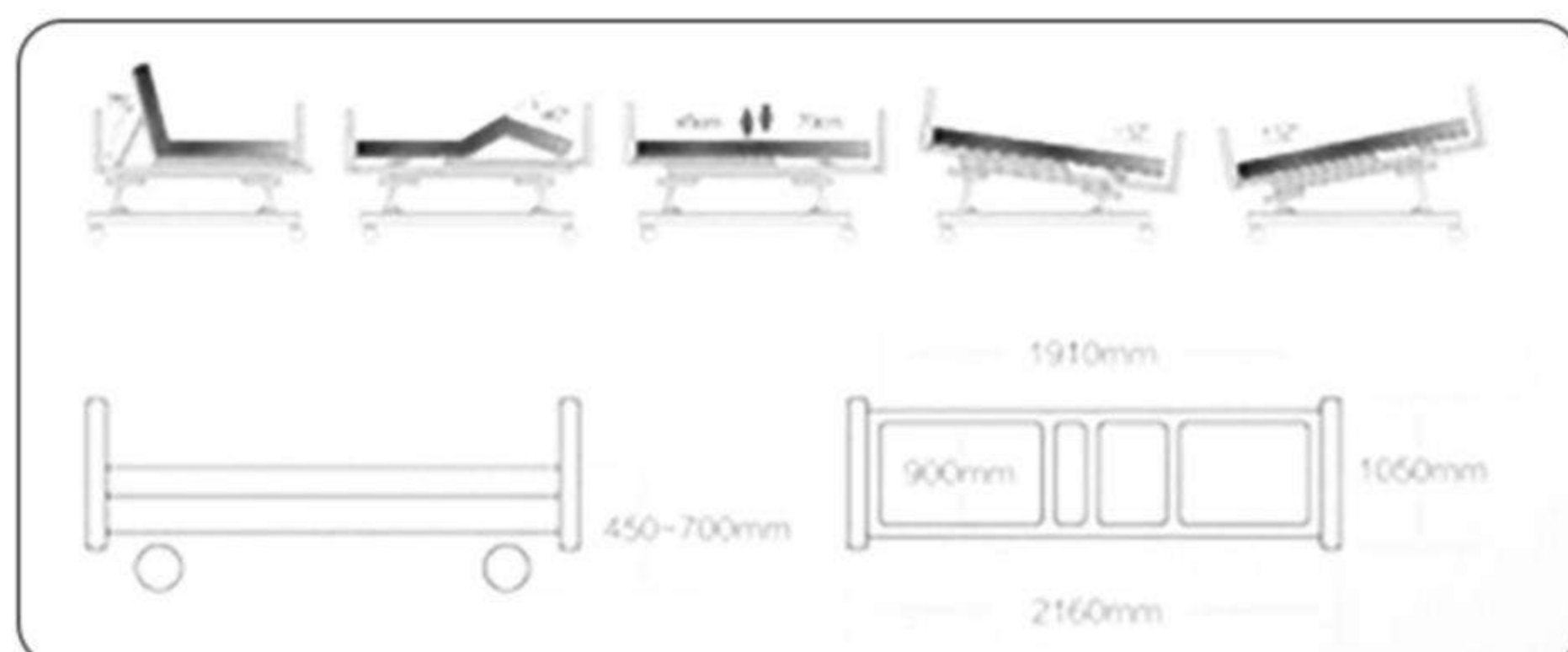


ORT-D5638K(VI)

Five Function Electric Bed

Main features

- ABS head/foot board, detachable
- ABS tuck-away side rail, 4 pieces
- Hand remote control
- Manual CPR release accessible on both sides
- MS perforated platform with ventilation hole, moulded
- Heavy duty caster, single side with diameter of 125mm
- Central brake system
- ABS soft connection between the section joints
- Auto-counter

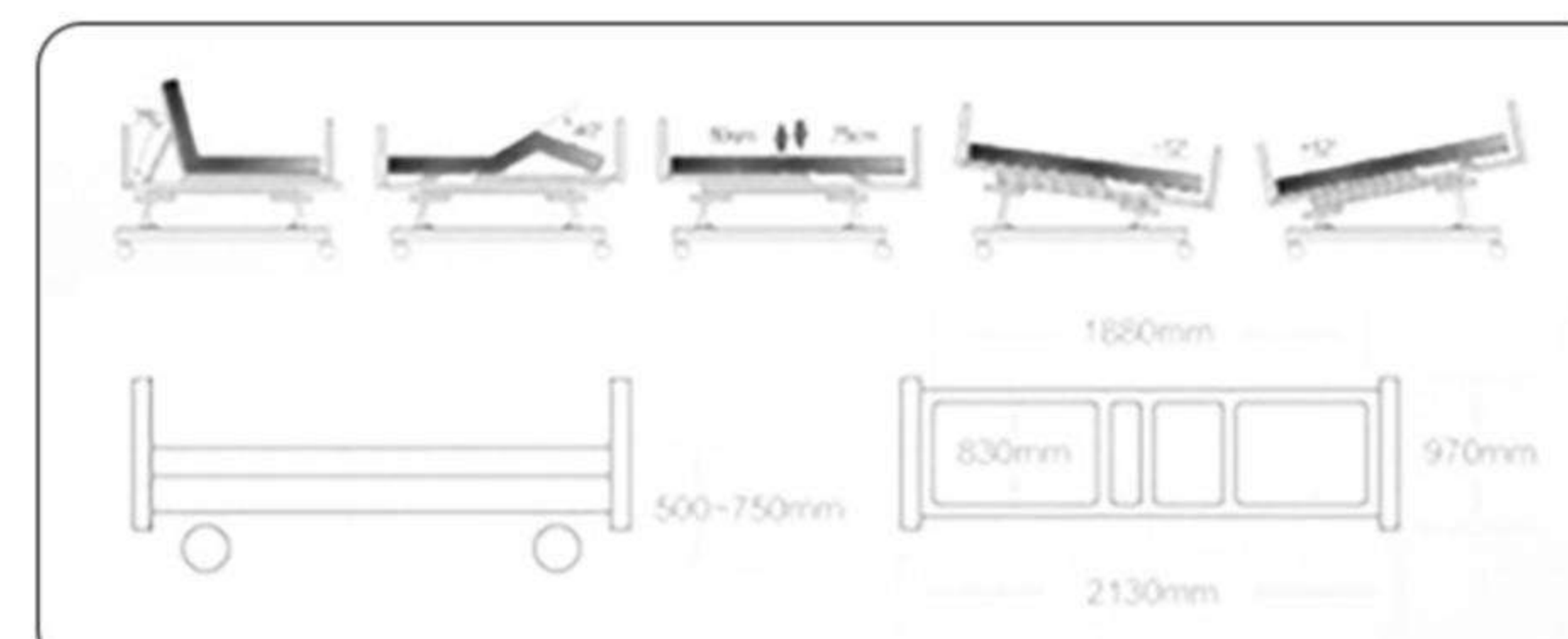


ORT-D5611K(II)

Five Function Electric Bed

Main features

- ABS head/foot board, detachable with bumper on four corners
- Hand remote control
- Heavy duty caster, diameter of 125mm, with dust-proof cover, two with brake
- MS perforated platform with ventilation hole, moulded
- Collapsible aluminum alloy railing
- Auto-counter
- I.V. pole
- Urine bag hook



ORT-D3618K(I)

Three Function Electric Bed with Manual Backup

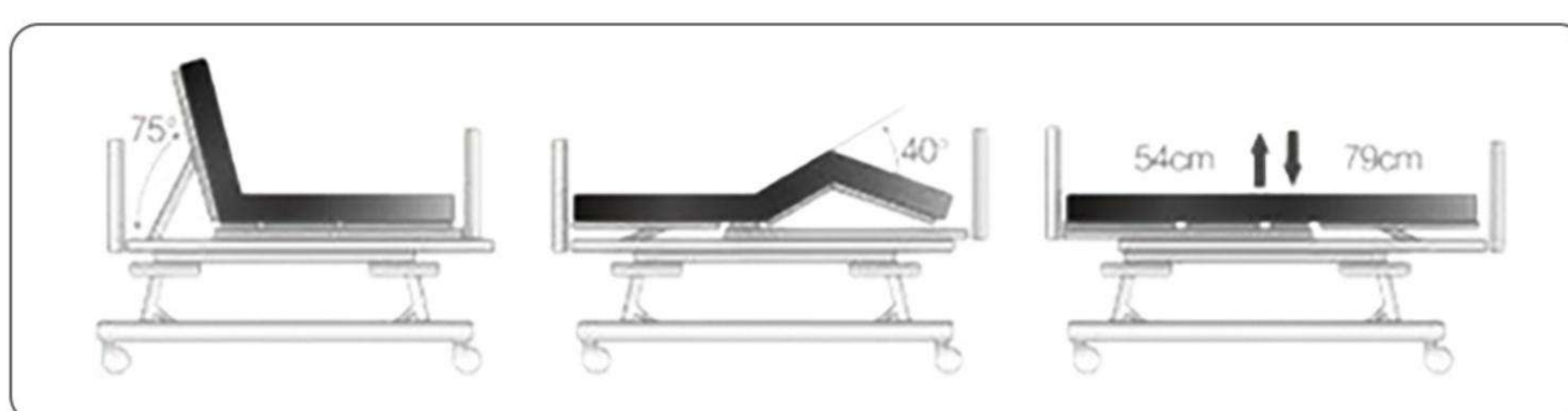
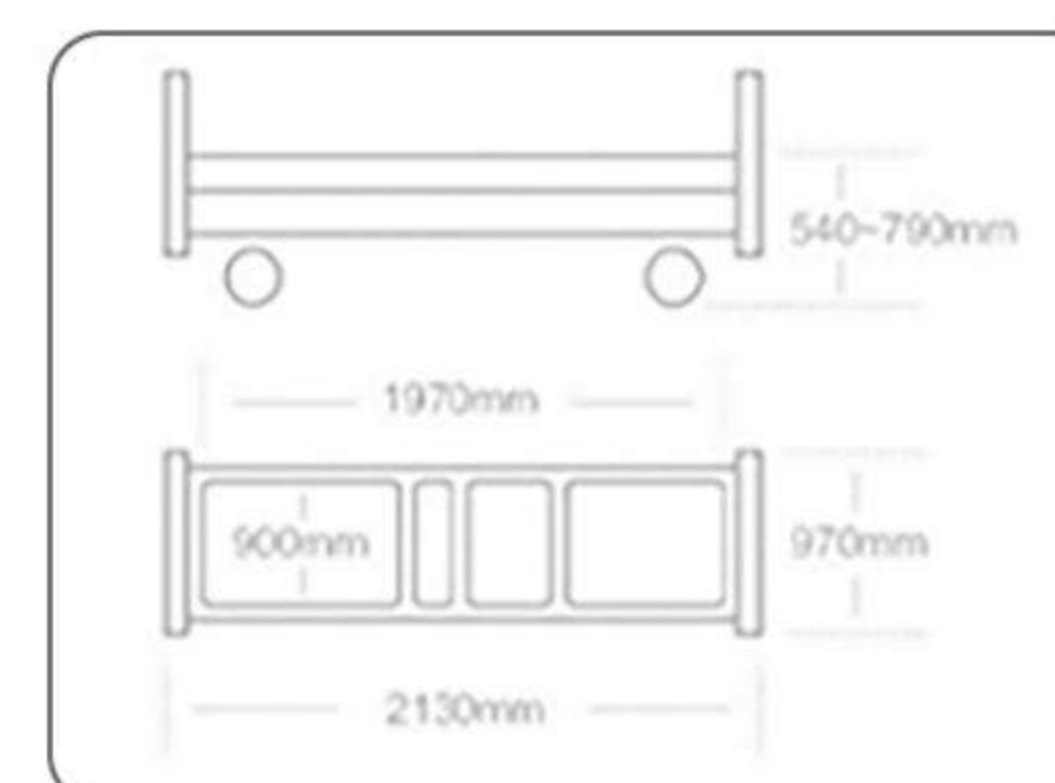


Main features

- ABS head/foot board , detachable
- Bumper caster on four corners
- ABS tuck-away side rail, 4 pieces
- Hand remote control
- With manual backup
- Bed angle indicator
- MS perforated platform with ventilation hole, moulded
- Heavy duty caster, single side with diameter of 125mm
- Central brake system
- Auto-counter
- Battery backup
- I.V. pole
- Urine bag hook

Options

- Removable ABS sleeping platform
- Soft joint between sections
- Lifting pole
- Steering function to manipulate the bed by one person



D10A

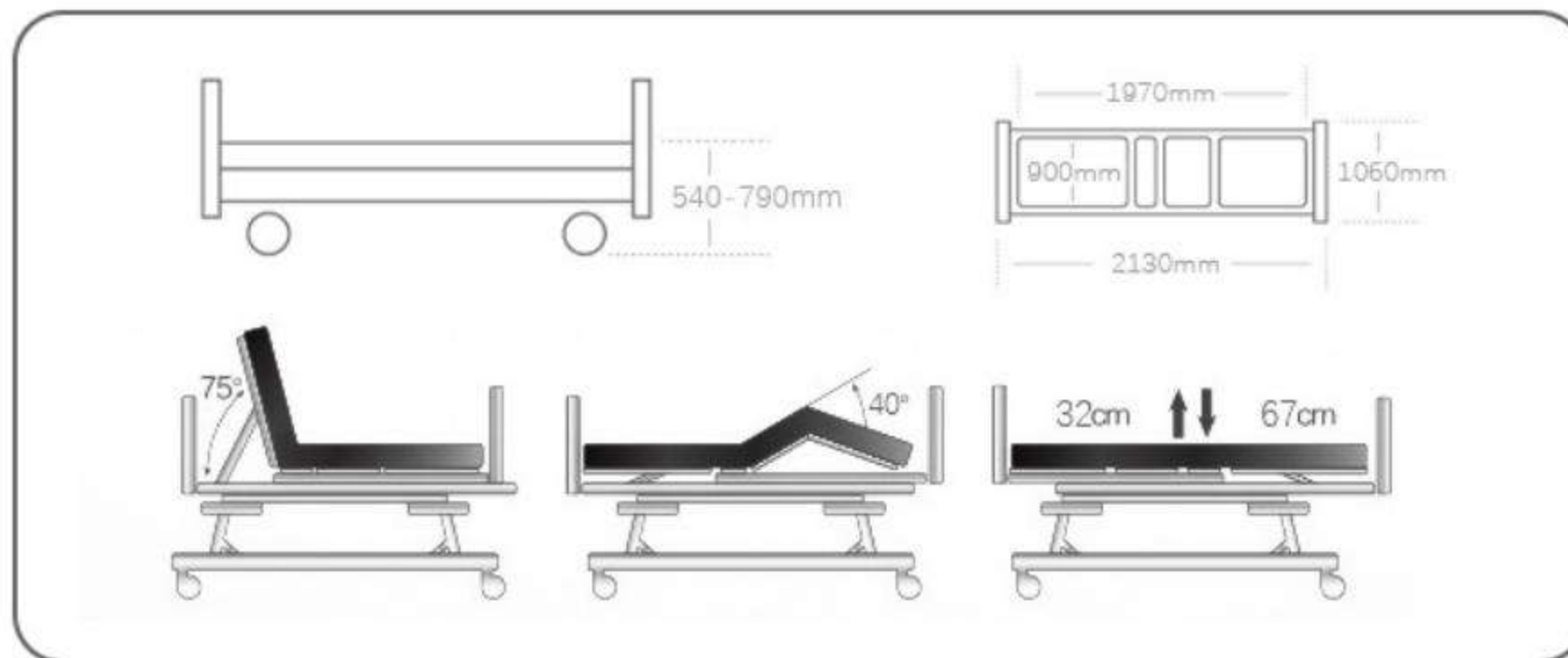


ORT-D3618K(II)

Three Function Electric Bed

Main features

- ABS head/foot board, detachable
- Bumper caster on four corners
- ABS tuck-away side rail, 4 pieces
- Bed angle indicator
- Hand remote control
- MS perforated platform with ventilation hole, moulded
- Heavy duty caster, single side with diameter of 125mm
- Central brake system
- Auto-counter
- I.V. pole
- Urine bag hook

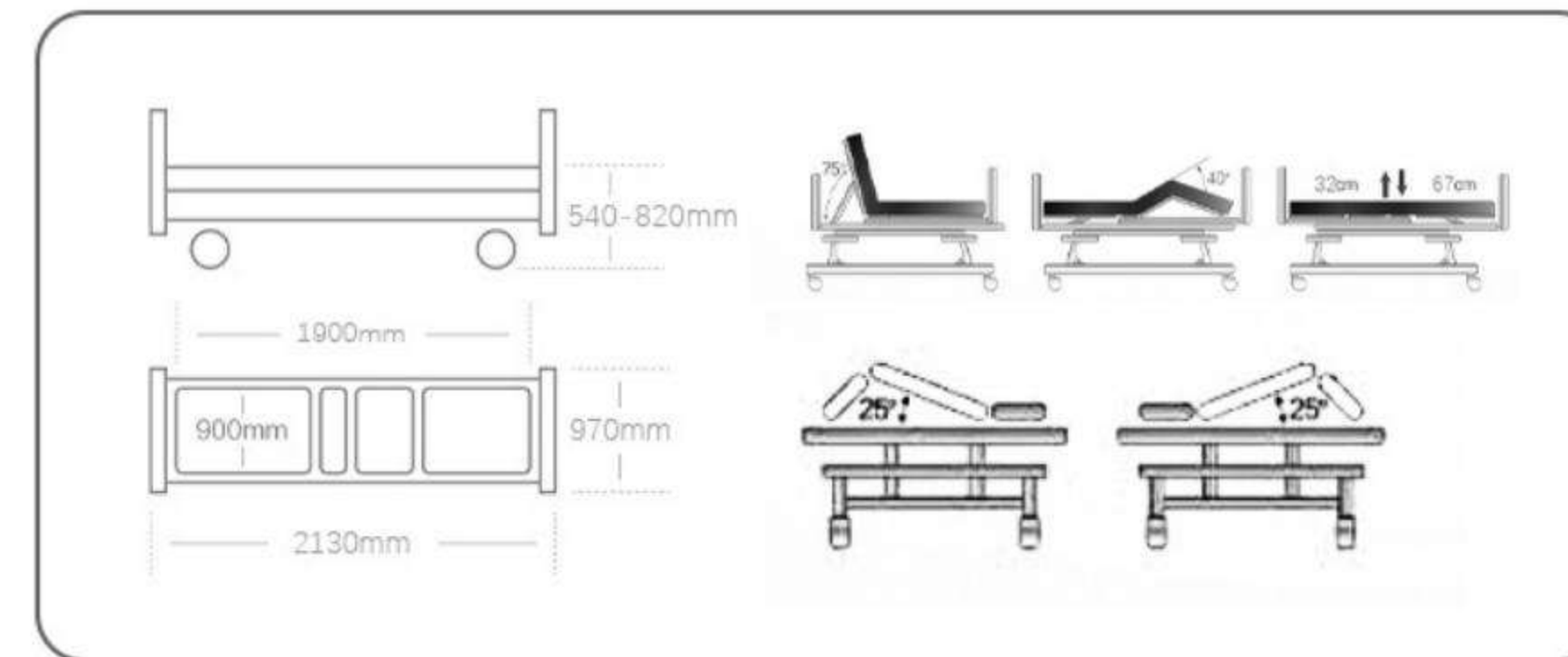


ORT-D4311L

Electric Turning Bed

Main features

- ABS head/foot board, detachable
- Collapsible aluminum alloy railing
- Hand remote control
- With turning function of platform movement
- Heavy duty caster, single side with diameter of 125mm
- Shoe shelf
- Central brake system
- Battery backup
- I.V. pole
- Urine bag hook

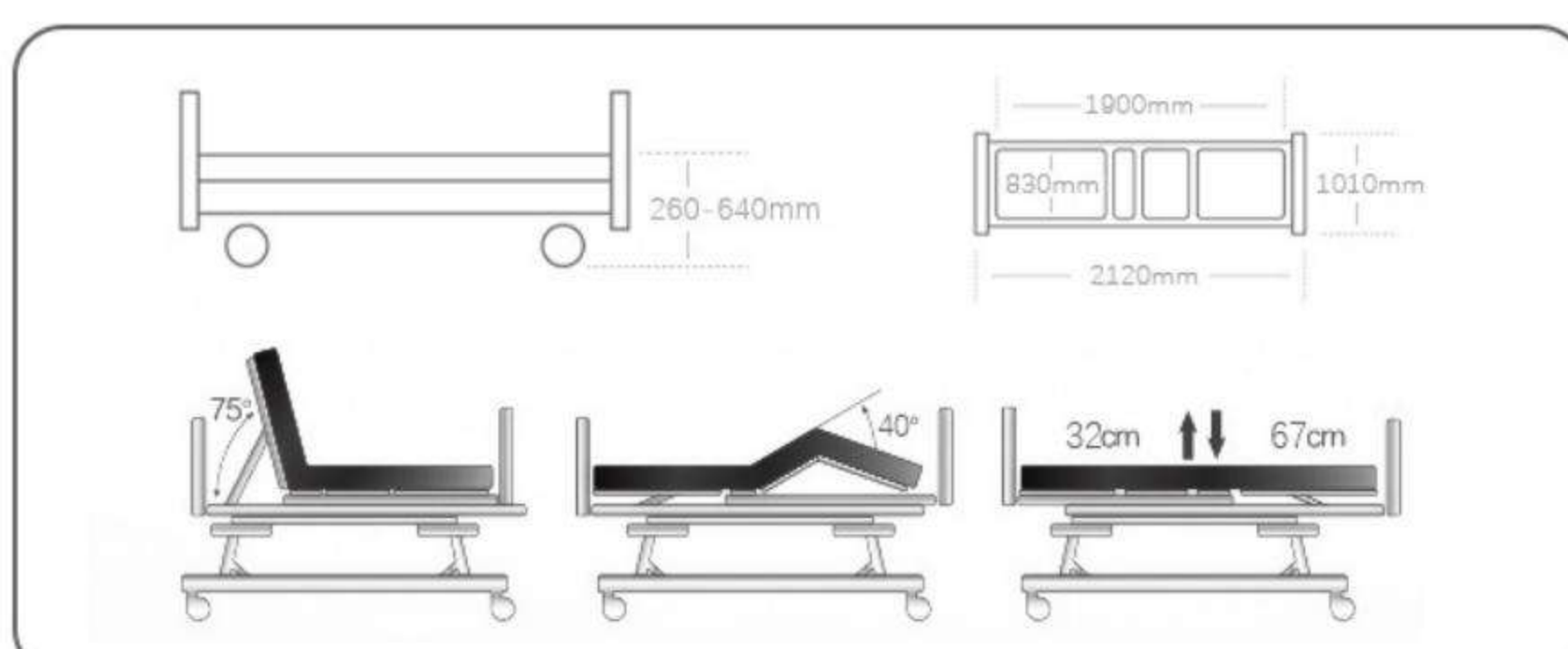


ORT-D3611L(II)

Extra Low Electric Bed

Main features

- ABS head/foot board, detachable
- Bumpers on four corners
- Collapsible new style iron railing
- Hand remote control
- 10 pieces divided platform to get smooth curve
- Battery backup
- Heavy duty caster, diameter of 100mm, with dust-proof cover, two with brake
- Auto-counter
- I.V. pole
- Urine bag hook

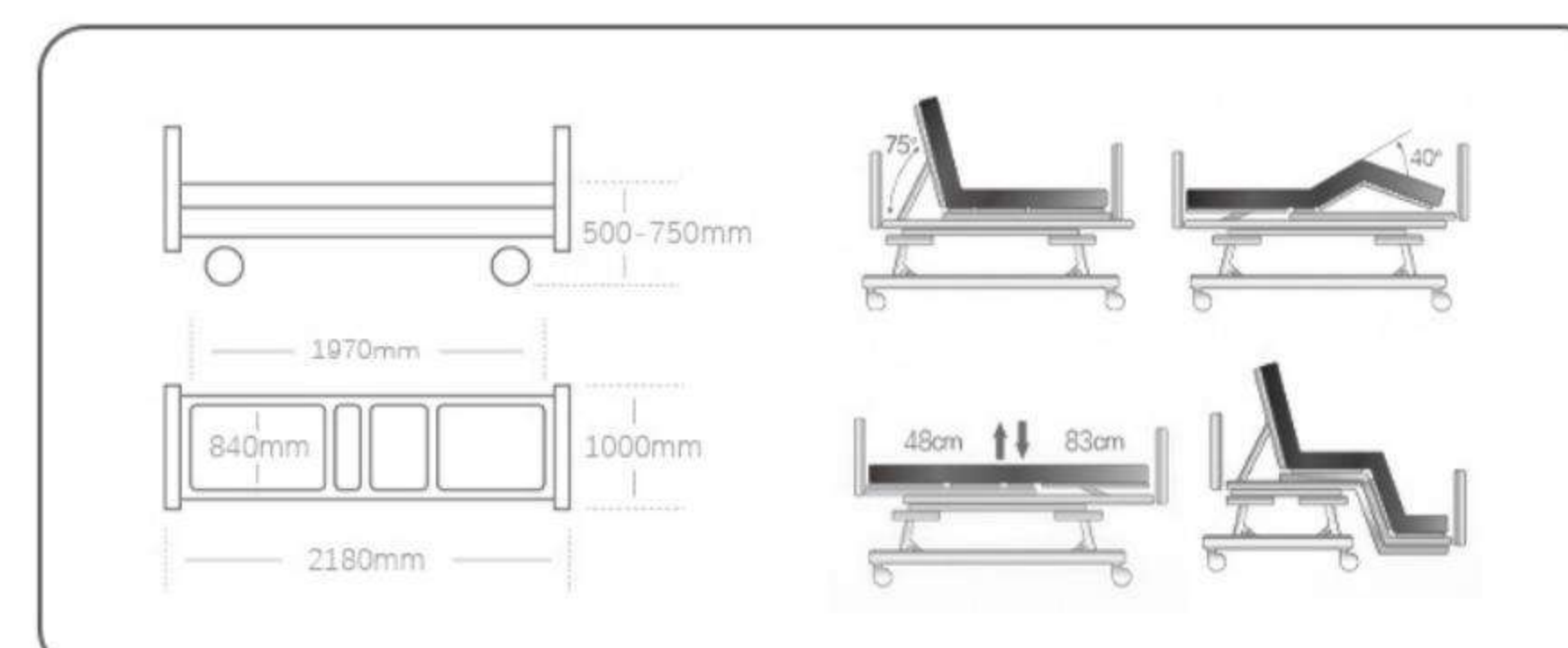


ORT-D3617K

Electric Chair Bed

Main features

- ABS head/foot board, detachable
- With bumper on four corners
- ABS tuck-away side rail, 2 pieces
- Hand remote control
- Chair position
- Heavy duty caster, single side with diameter of 125mm
- Central brake system
- I.V. pole
- Urine bag hook



ORTTECSA

MANUFACTURERS SINCE 1979

MANUFACTURERS SINCE 1979

MANUAL BED SERIES



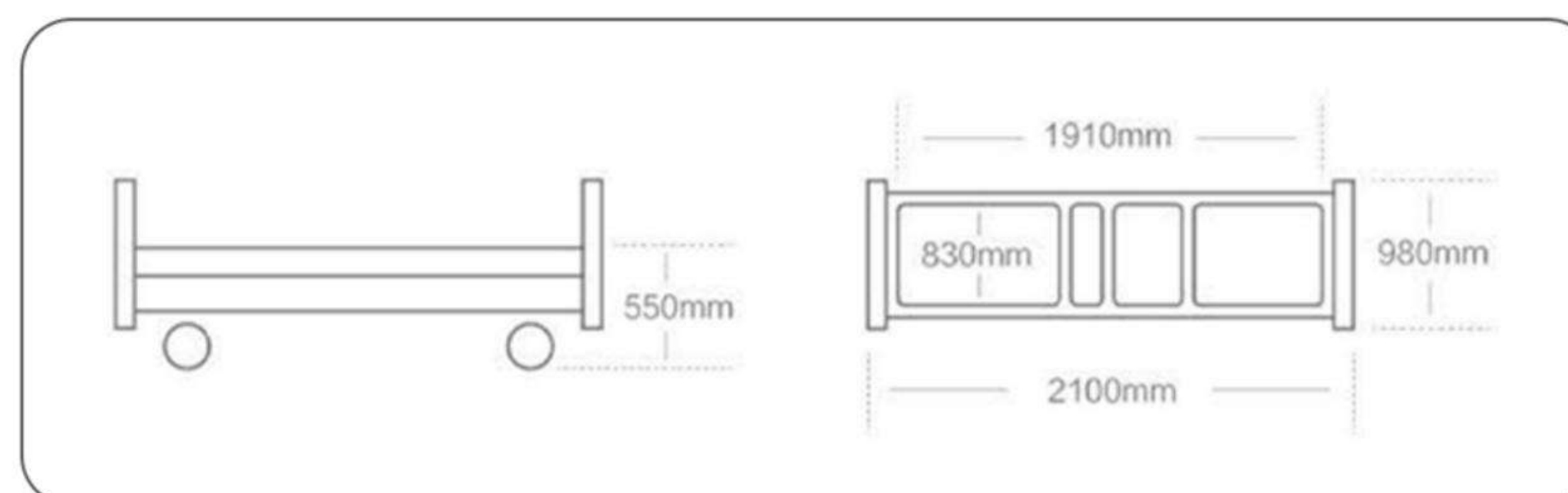
ORT-C261L

Two Function Manual Bed



Main features

- ABS head/foot board, detachable
- Collapsible aluminum alloy side rail
- MS perforated platform with ventilation hole, moulded
- Foldable crank to avoid protruding outside
- Heavy duty caster, diameter of 125mm, with dust-proof cover, two with brake
- Bumper on four corners
- Shoe shelf
- Urine bag hook
- I.V. pole



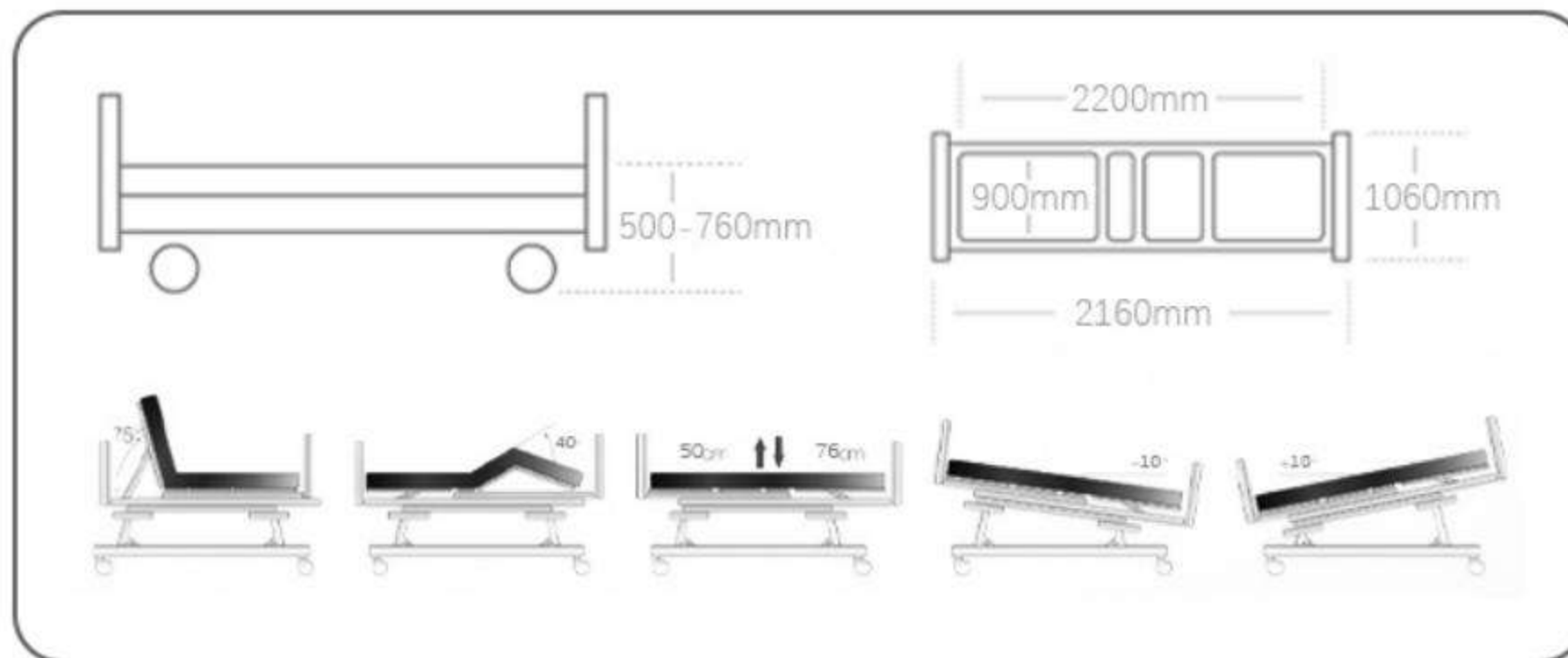


ORT-C463K(III)

Five Function Hydraulic Bed

Main features

- ABS head/foot board, detachable
- ABS tuck-away side rail, 4 pieces
- MS perforated platform with ventilation hole, moulded
- Heavy duty caster, dual sides with diameter of 125mm
- Central brake system
- Battery backup
- I.V. pole
- Urine bag hook

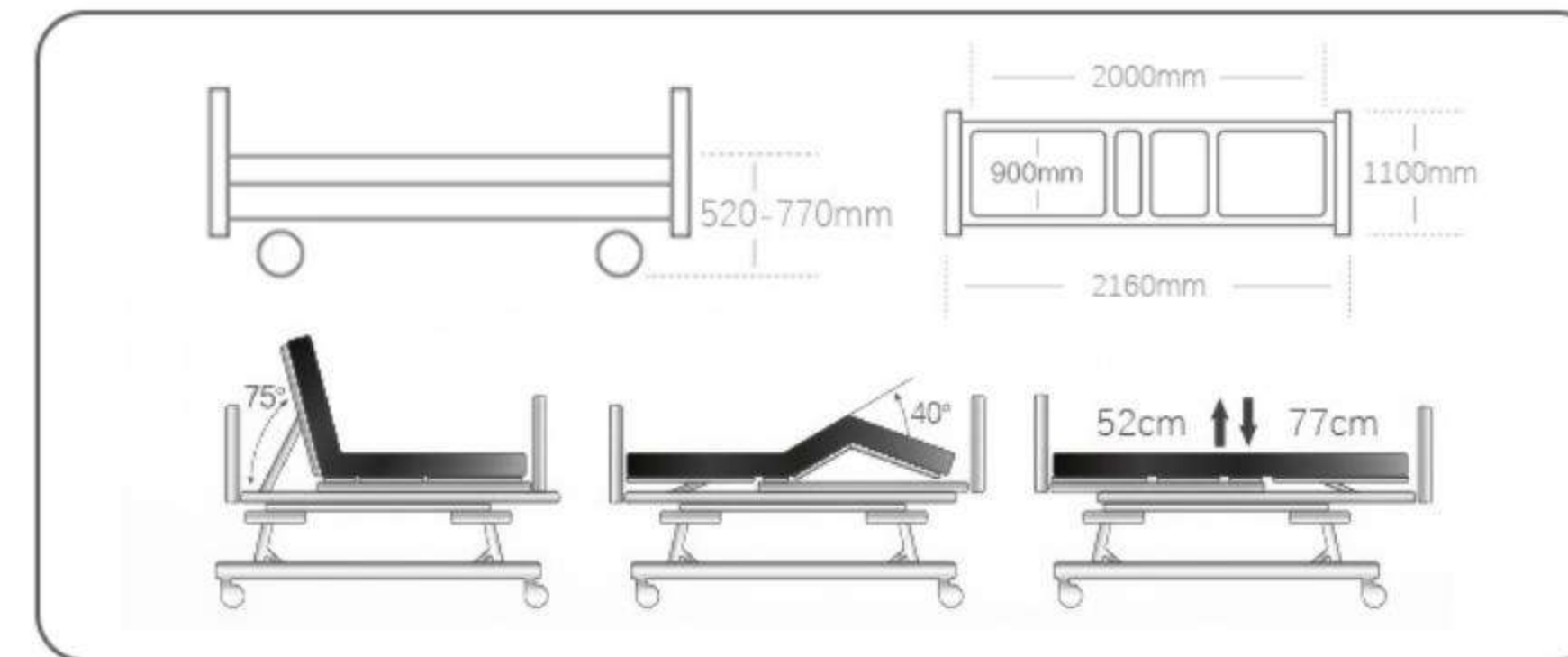


ORT-C363K(I)

Three Function Manual Bed

Main features

- ABS head/foot board, detachable
- ABS Tuck-away side rails, 4 pieces
- MS perforated platform with ventilation hole, moulded
- Foldable crank to avoid protruding outside
- Heavy duty caster, single side with diameter of 125mm
- Central brake system
- Bumper caster on four corners
- Urine bag hook
- I.V. Pole

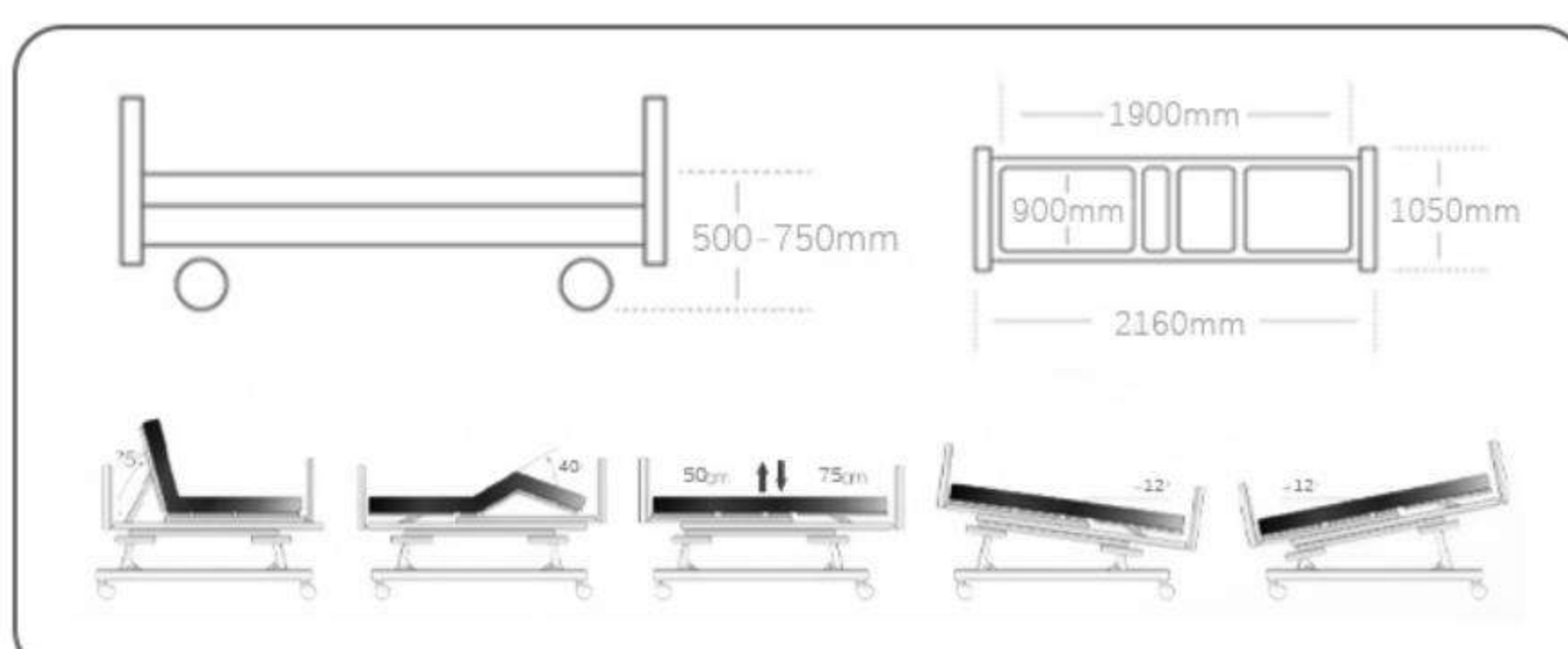


ORT-C463K(II)

Five Function Manual Bed

Main features

- ABS head/foot board, detachable
- ABS Tuck-away side rails, 4 pieces
- MS perforated platform with ventilation hole, moulded
- ABS soft connection between the section joints
- Foldable crank to avoid protruding outside
- Heavy duty caster, single side with diameter of 125mm
- Central brake system
- Urine bag hook
- I.V. Pole

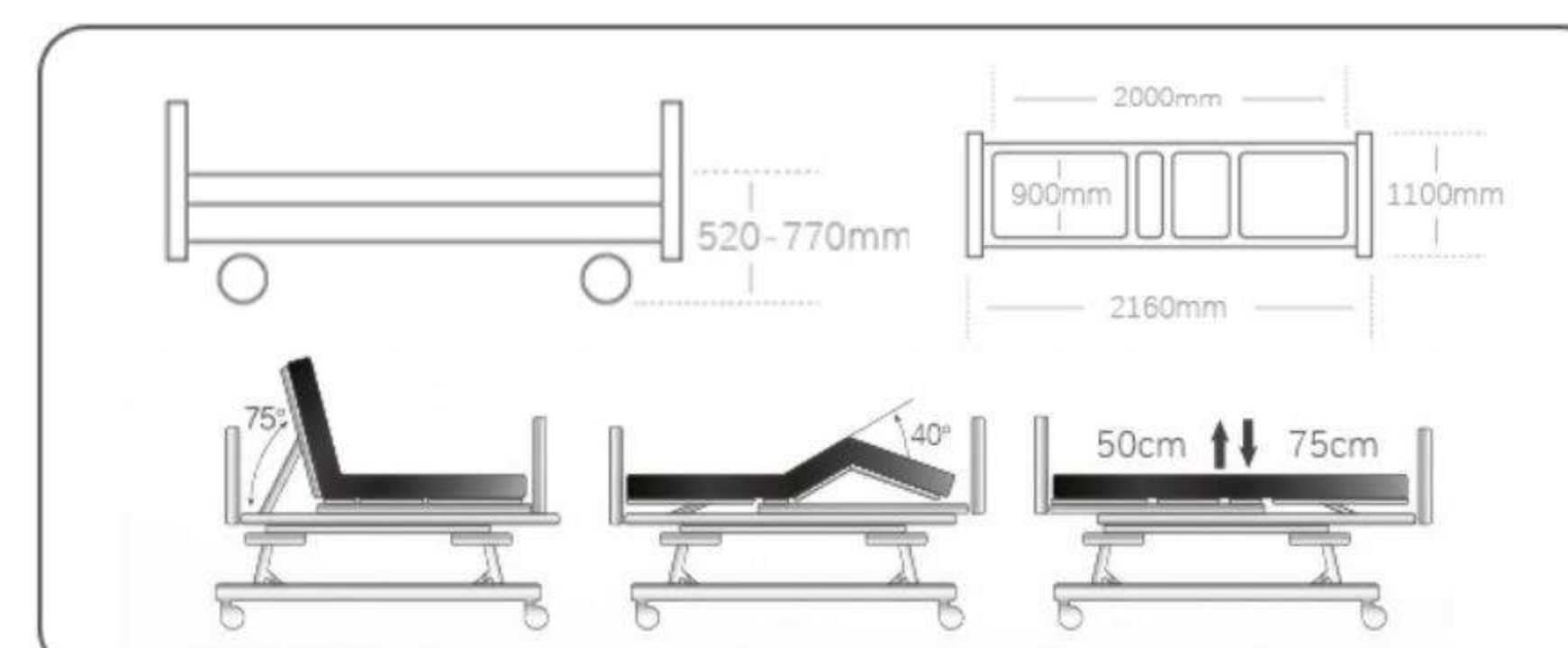


ORT-C363K(II)

Three Function Manual Bed

Main features

- ABS head/foot board, detachable
- ABS Tuck-away side rails, 4 pieces
- MS perforated platform with ventilation hole, moulded
- ABS soft connection between the section joints
- Foldable crank to avoid protruding outside
- Heavy duty caster, single side with diameter of 125mm
- Central brake system
- Urine bag hook
- I.V. Pole



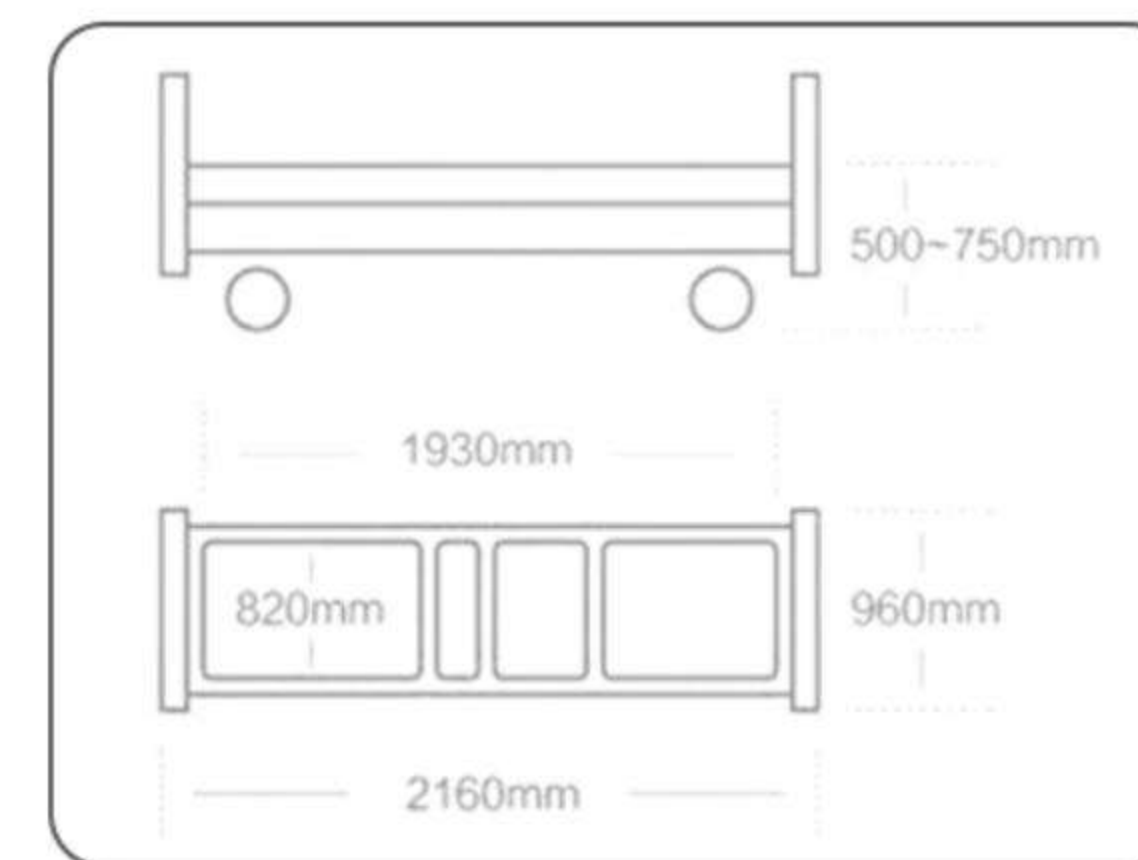
ORT-C463L

Five Function Manual Bed



Main features

- ABS head/foot board, detachable
- Collapsible aluminum alloy side rail
- MS perforated platform with ventilation hole, moulded
- Foldable crank to avoid protruding outside
- Bumper on four corners
- Heavy duty caster, diameter of 125mm, with dust-proof cover, two with brake
- Urine bag hook
- I.V. Pole



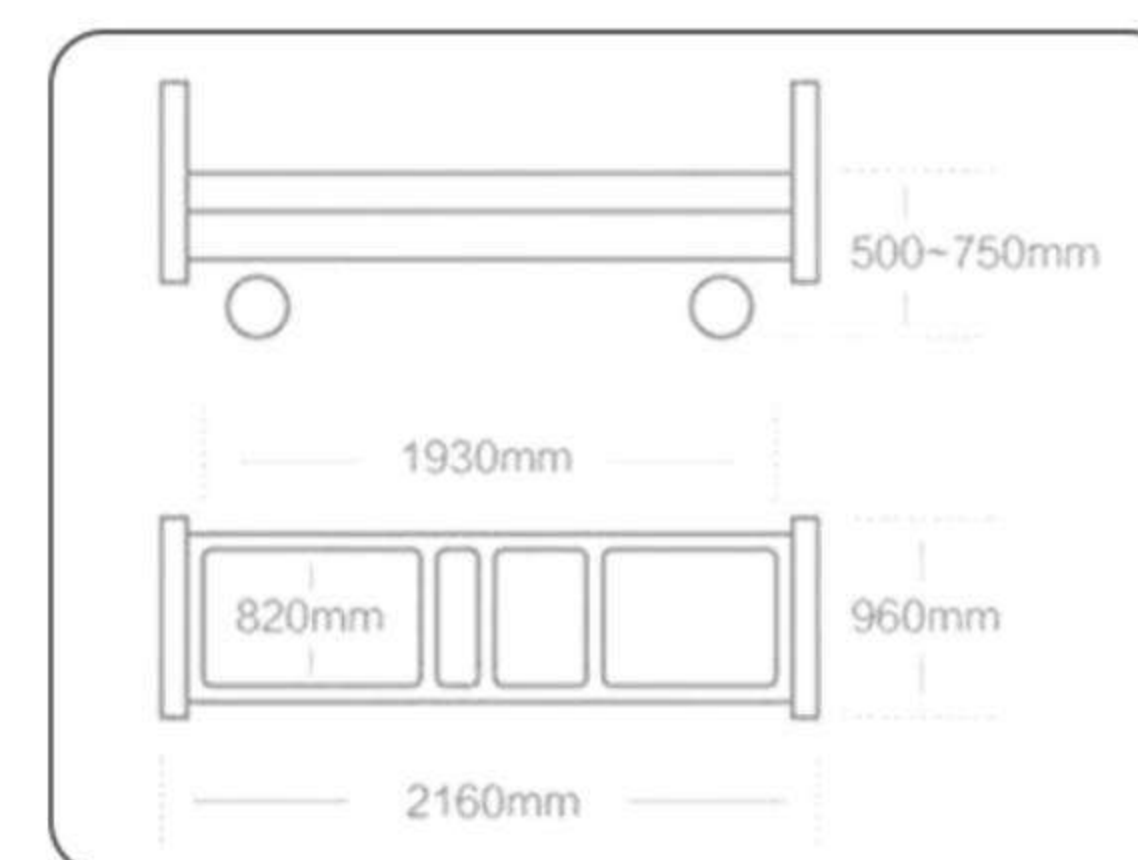
ORT-C361L

Three Function Manual Bed



Main features

- ABS head/foot board, detachable
- Collapsible aluminum alloy side rail
- MS perforated platform with ventilation hole, moulded
- Foldable crank to avoid protruding outside
- Bumper on four corners
- Heavy duty caster, diameter of 125mm, with dust-proof cover, two with brake
- Urine bag hook
- I.V. Pole



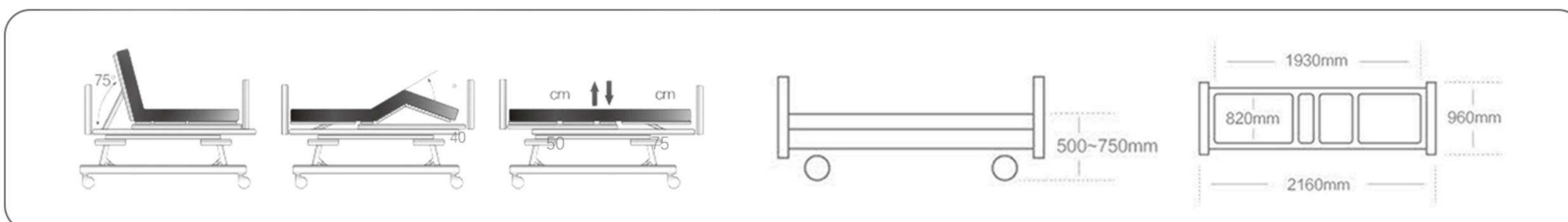
ORT-C361B

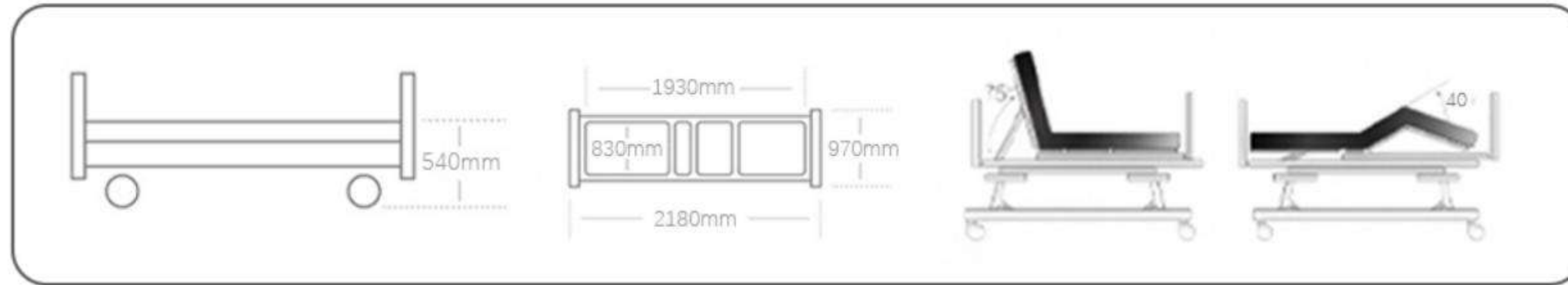
Three Function Manual Bed



Main features

- ABS head/foot board, detachable
- Collapsible aluminum alloy side rail
- MS perforated platform with ventilation hole, moulded
- Foldable crank to avoid protruding outside
- Eight legs, four fixed leg with rubber shoes, four legs with castors
- Bumper on four corners
- Four heavy duty caster, diameter of 125mm, with dust-proof cover, two with brake
- Urine bag hook
- I.V. Pole



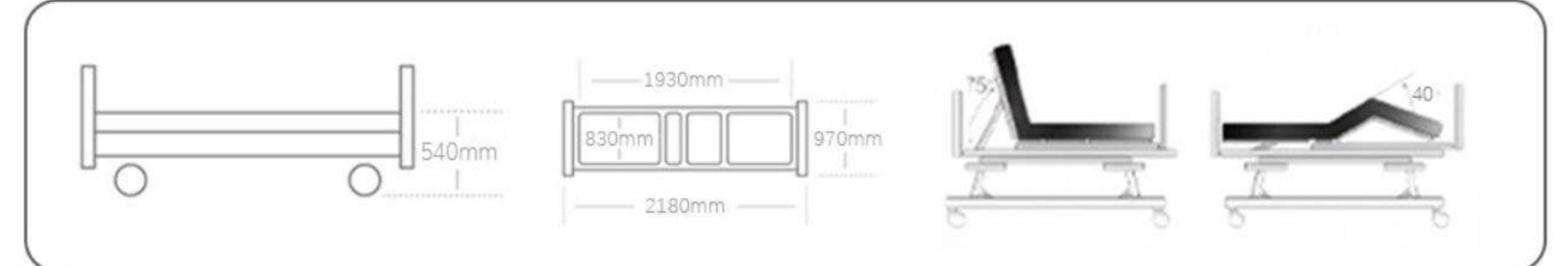


ORT-C261K(I)

TWO Function Manual Bed

Main features

- Aluminum-plastic composite head/foot board, detachable
- Collapsible aluminum alloy side rail
- MS perforated platform with ventilation hole, moulded
- Foldable crank to avoid protruding outside
- Bumper on four corners
- Heavy duty caster, single side with diameter of 125mm
- Central brake system
- Shoe shelf
- Urine bag hook
- I.V. Pole

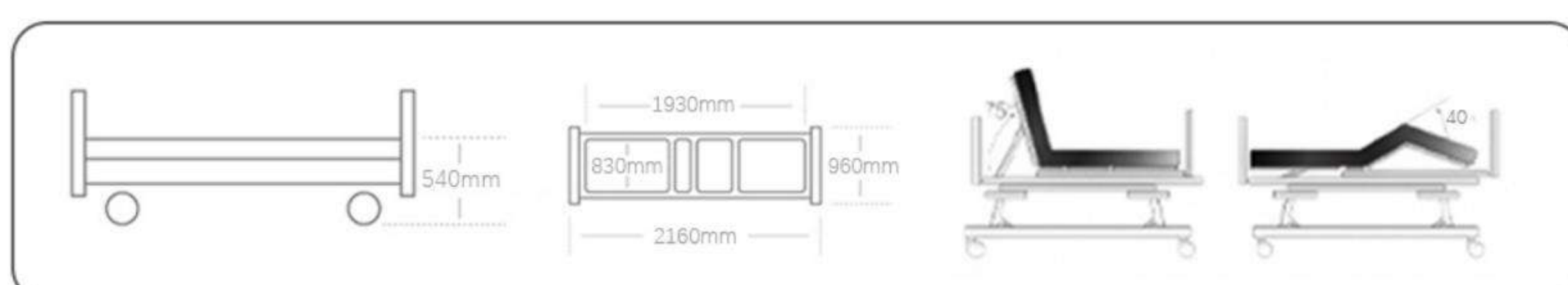


ORT-C261K(III)

TWO Function Manual Bed

Main features

- ABS head/foot board, detachable
- Collapsible aluminum alloy side rail
- 10 pieces divided platform to get smooth curve
- Foldable crank to avoid protruding outside
- Sliding over bed table
- Heavy duty caster, single side with diameter of 125mm
- Central brake system
- Urine bag hook
- I.V. Pole

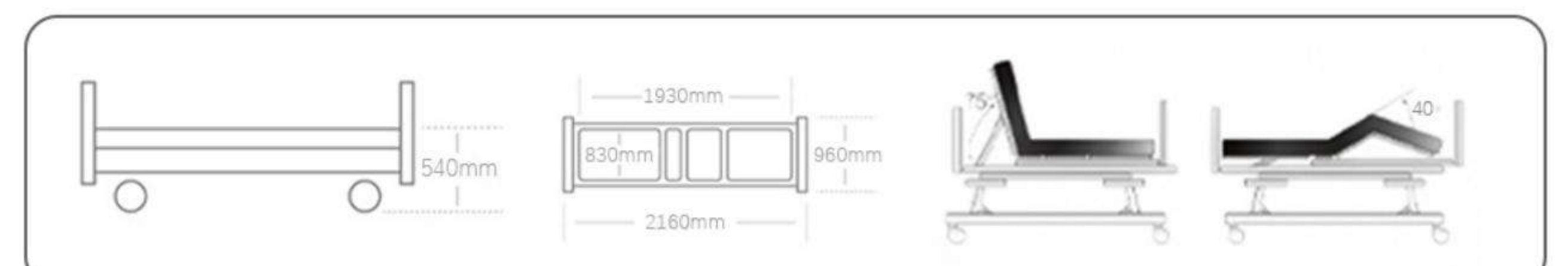


ORT-C261K(II)

Two Function Manual Bed

Main features

- ABS frame head/foot board with laminated panel in the middle, detachable
- Collapsible aluminum alloy side rail
- MS perforated platform with ventilation hole, moulded
- Foldable crank to avoid protruding outside
- Build-in over bed table
- Bumper on four corners
- Heavy duty caster, single side with diameter of 125mm
- Central brake system
- Shoe shelf
- Urine bag hook
- I.V. Pole

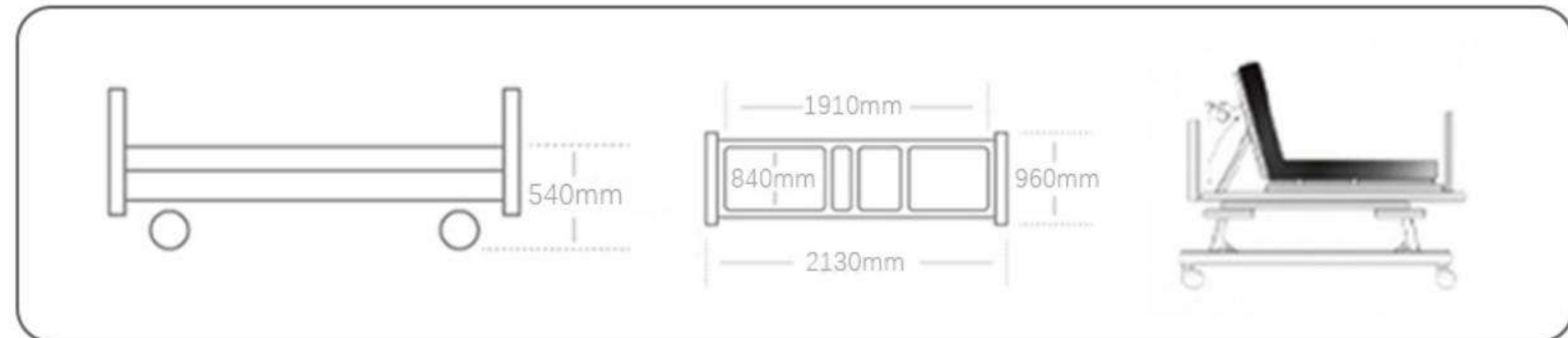


ORT-C231J

Two Function Manual Bed

Main features

- Aluminum alloy head/foot board with ABS decoration panel in the middle, detachable
- Collapsible aluminum alloy side rail
- MS perforated platform with ventilation hole, moulded
- Foldable crank to avoid protruding outside
- Bumper on four corners
- Heavy duty caster, single side with diameter of 125mm
- Central brake system
- Urine bag hook
- Lifting pole
- I.V. Pole

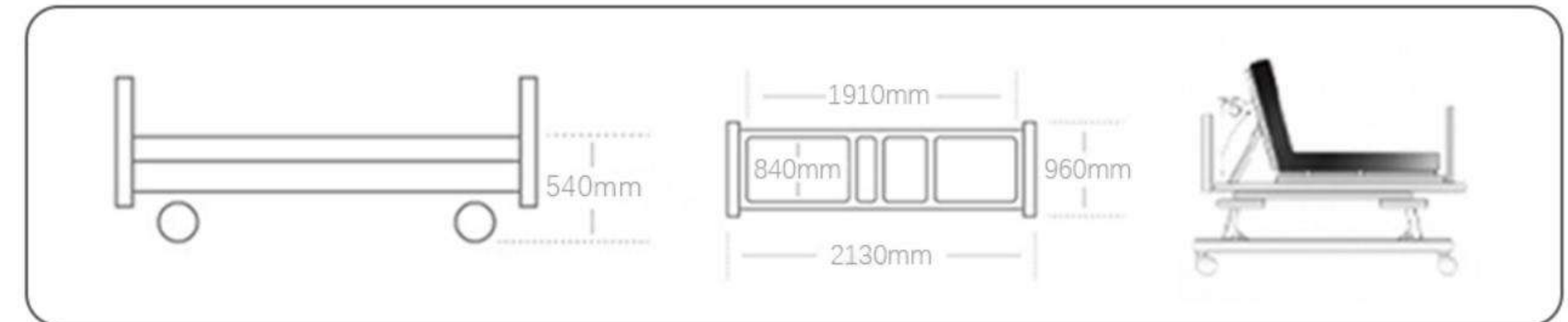


ORT-C161L

Single Function Manual Bed

Main features

- ABS head/foot board, detachable
- MS perforated platform with ventilation hole, moulded
- Foldable crank to avoid protruding outside
- Bumper on four corners
- Four heavy duty caster, diameter of 125mm, with dust-proof cover, two with brake
- Urine bag hook
- I.V. Pole

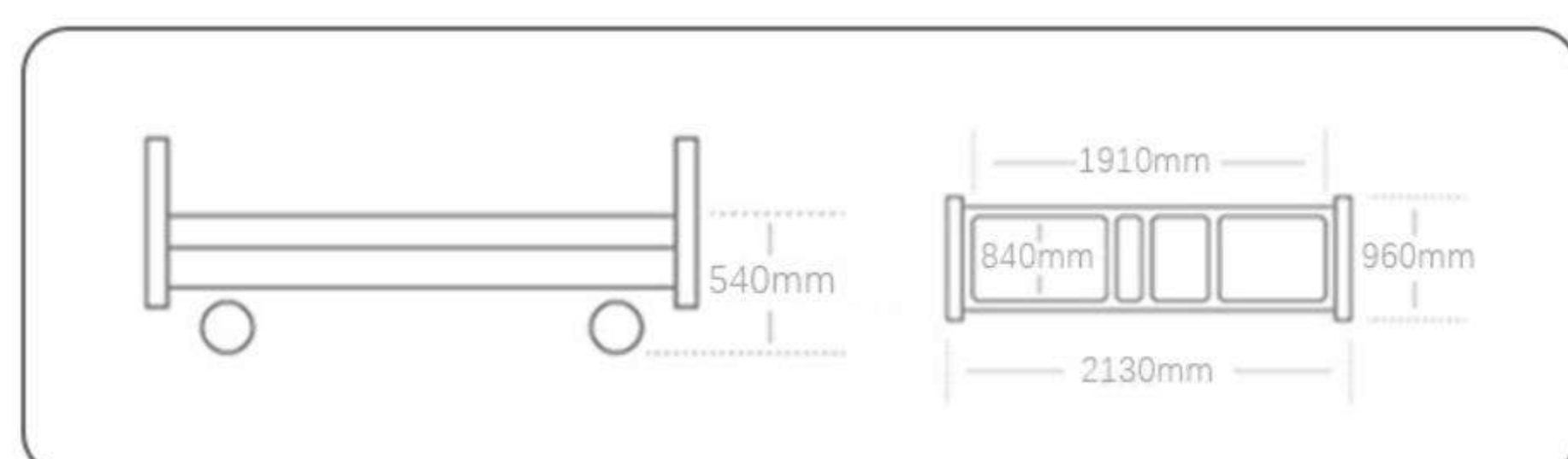


ORT-C111T

Single Function Manual Bed

Main features

- MS head/foot board
- Chrome painting foldable crank to avoid protruding outside
- Rectangular tube platform or optional for MS perforated platform with ventilation hole
- Heavy duty caster, diameter of 125mm, two with brake
- Patient record holder
- Urine bag hook
- I.V. Pole

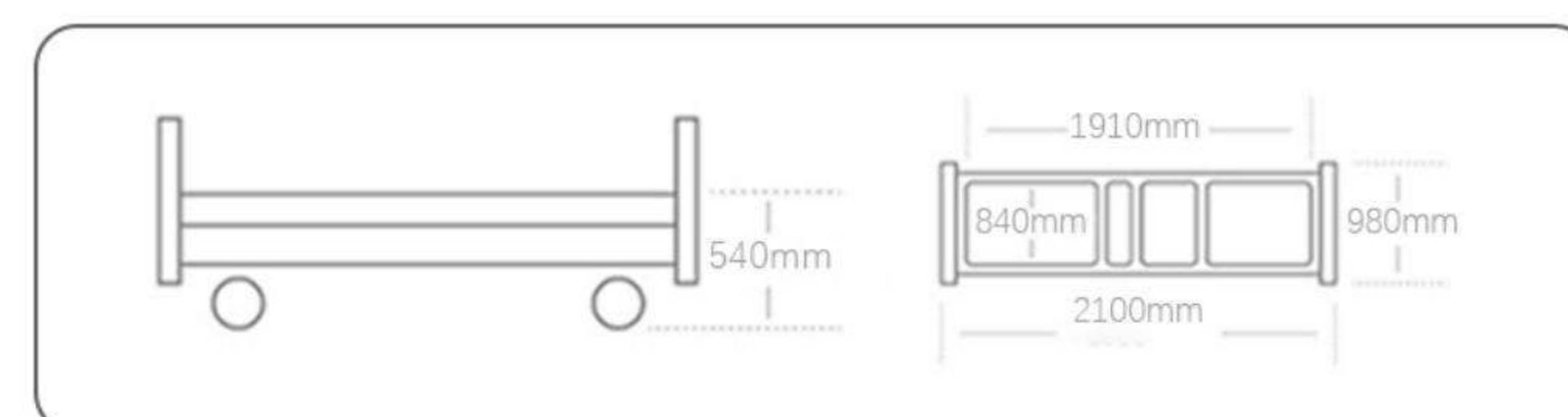


ORT-C061Z

Flat Bed

Main features

- ABS head/foot board, detachable
- MS perforated platform with ventilation hole, moulded
- Bumper on four corners
- Urine bag hook
- I.V. Pole



ORT-C011T

Flat Bed

Main features

- MS head/foot board
- MS perforated platform with ventilation hole, moulded
- Heavy duty caster, diameter of 125mm, two with brake
- I.V. Pole



ORTOTECSA

ORTOTECSA,S.L.

C/.Peña de Francia,8 (28500) Arganda del Rey
MADRID (España)

Web: www.ortotecsa.com

E-mail: info@ortotecsa.com