

ORTTECSA

MANUFACTURERS SINCE 1979

MANUFACTURERS SINCE 1979

PEDIATRIC BED SERIES BABY COT SERIES



ORT-E5311K

Five Function Electric Children Bed

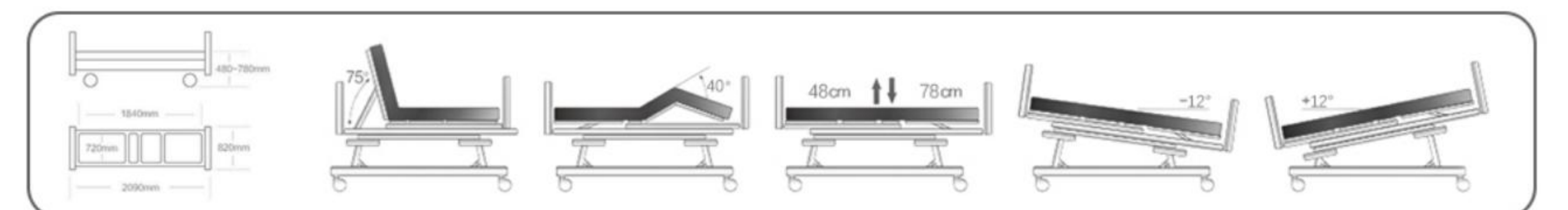


Main Features:

- Bed various positions achieved by three motors
- Steel chassis with electrophoresis and powder coating
- High Strength MS perforated platform with ventilation hole,
- Aluminum alloy head/foot board with MDF decoration panel
- Full length aluminum alloy railing, adjusted in three different height
- Railing adjusting system designed with double switch for child security
- Hand remote control pad hang the siderail
- 125mm diameter heavy duty caster, central brake system
- I.V. pole
- Urine bag hook
- Battery backup

Options :

- 1.ACP hanging on foot board
- 2.Steering function to manipulate the bed by one person



ORT-E3611K-A1

Three Function Electric Children Bed

Specifications:

- 1.Bed Platform Height: 480-780mm
2. Back section adjustable from 0° to 75°
3. Knee section adjustable from 0° to 40°

Main features:

- Bed various positions achieved by three motors
- Steel chassis with electrophoresis and powder coating
- High Strength MS perforated platform with ventilation hole,
- Aluminum alloy head/foot board with MDF decoration panel
- Full length aluminum alloy railing, adjusted in three different height
- Railing adjusting system designed with double switch for child security
- Hand remote control pad hang the siderail
- 125mm diameter heavy duty caster, central brake system
- I.V. pole
- Urine bag hook
- Battery backup



ORT-D3611K-W1

Three Function Electric Children Bed

Main Features:

Bed various positions achieved by three motors
Moulded MS perforated platform with ventilation hole,
ABS frame head/foot board with laminated panel in the middle, detachable
Collapsible stainless steel railing
Hand remote control
Bumper on four corners
125mm diameter heavy duty caster, central brake system
I.V. pole
Urine bag hook

Specifications:

1. Bed Platform Height: 440-700mm
2. Back section adjustable from 0° to 75°
3. Knee section adjustable from 0° to 40°

Overall Size:

(L)1940*(W)850*(H)440-700mm



ORT-D3611K-W2

Three Function Electric Children Bed



Overall Size:

(L)1420*(W)840*(H)520-740mm

Specifications:

1. Bed Platform Height: 520-740mm
2. Back section adjustable from 0° to 75°
3. Knee section adjustable from 0° to 35°

Main Features:

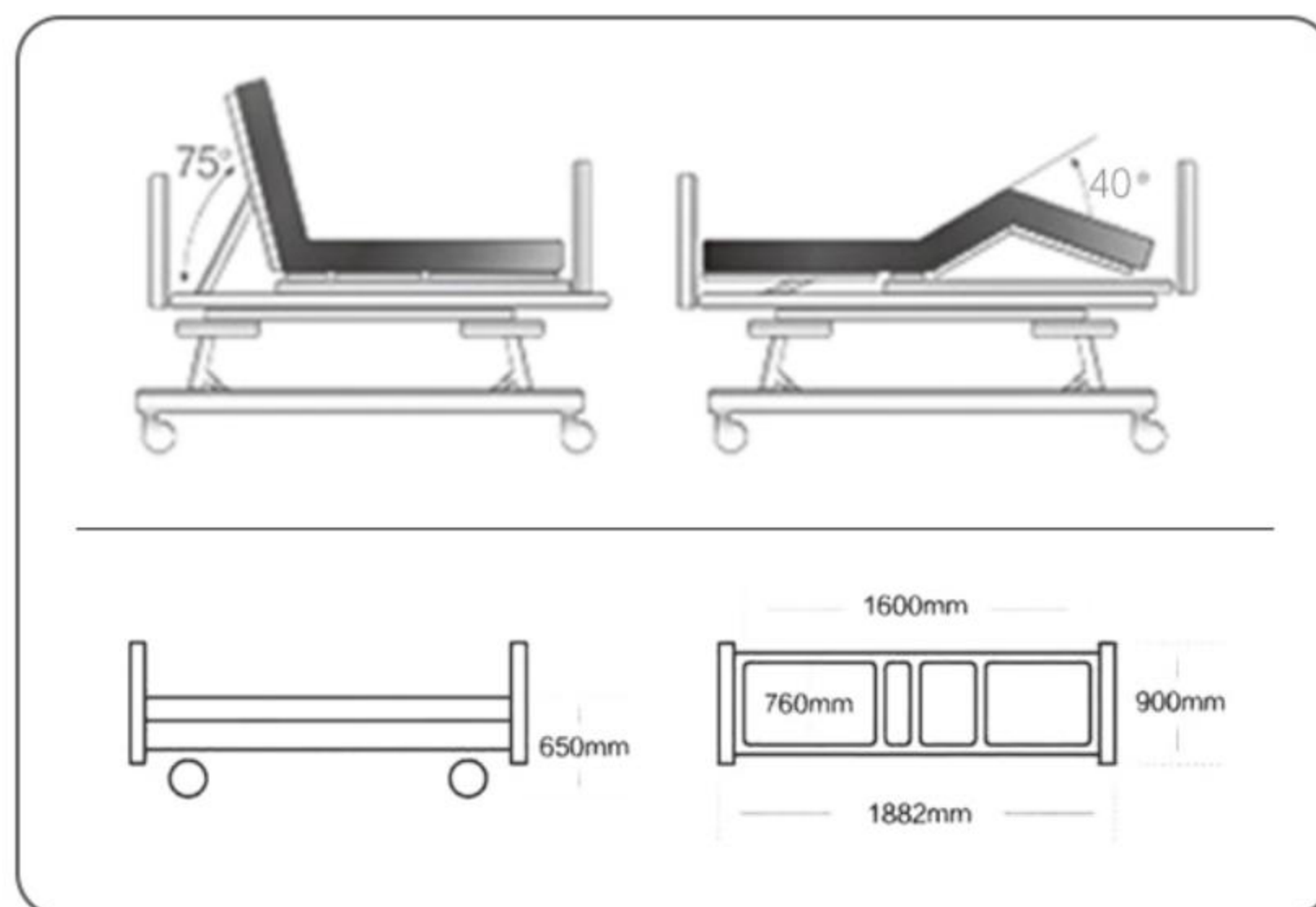
Bed various positions achieved by three motors
Moulded MS perforated platform with ventilation hole,
ABS frame head/foot board with laminated panel in the middle, detachable
Full length stainless steel railing
Hand remote control
Bumper on four corners
125mm diameter heavy duty caster, central brake system
I.V. pole
Urine bag hook

ORT-E211T(II)

Two Function Manual Pediatric Bed

Main features

- Mild steel head/foot board with ABS decoration panel in the middle
- Full length mild steel railing, telescopic system adjustable in three different height
- Railing adjusting system designed with double switch for child security
- MS perforated platform with ventilation hole, moulded
- Foldable crank to avoid protruding outside
- Heavy duty caster, single side with diameter of 125mm
- Central brake system
- I.V. pole
- Urine bag hook
- With shoe shelf

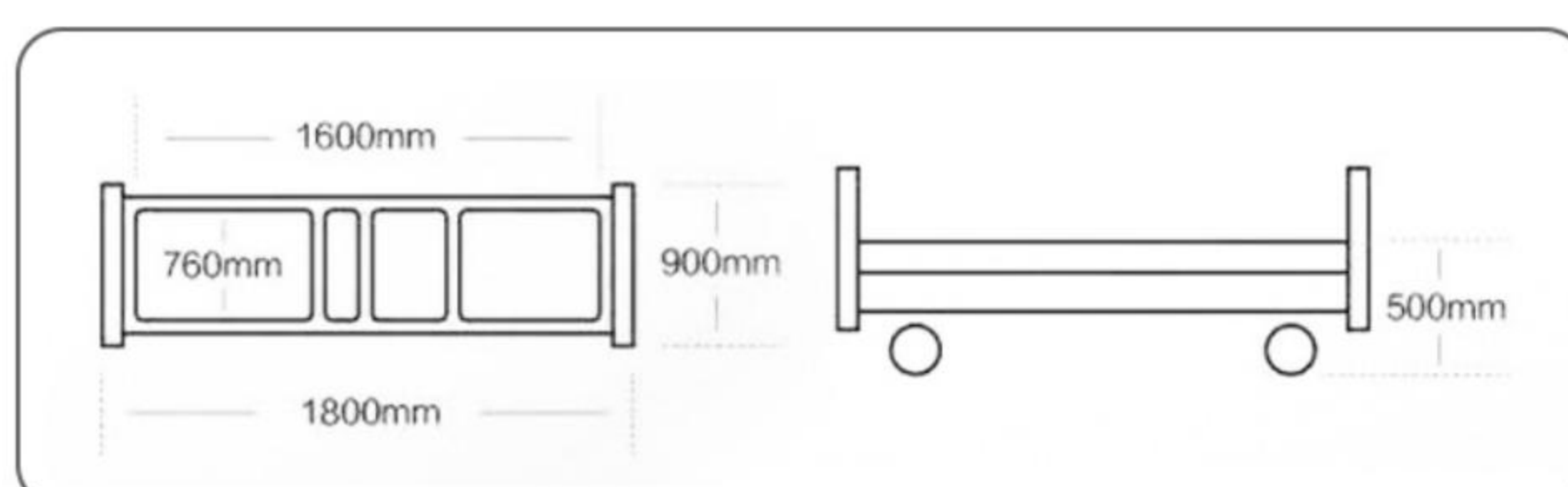


ORT-E111T

Single Function Manual Pediatric Bed

Main features

- Mild steel head/foot board with ABS decoration as bumper on the four leg frame
- Full length metal railing, adjustable in three different height
- Railing adjusting system designed with double switch for child security
- MS perforated platform with ventilation hole, moulded
- Foldable crank to avoid protruding outside
- Heavy duty caster, diameter of 125mm, with dust-proof cover, two with brake
- I.V. pole
- Urine bag hook

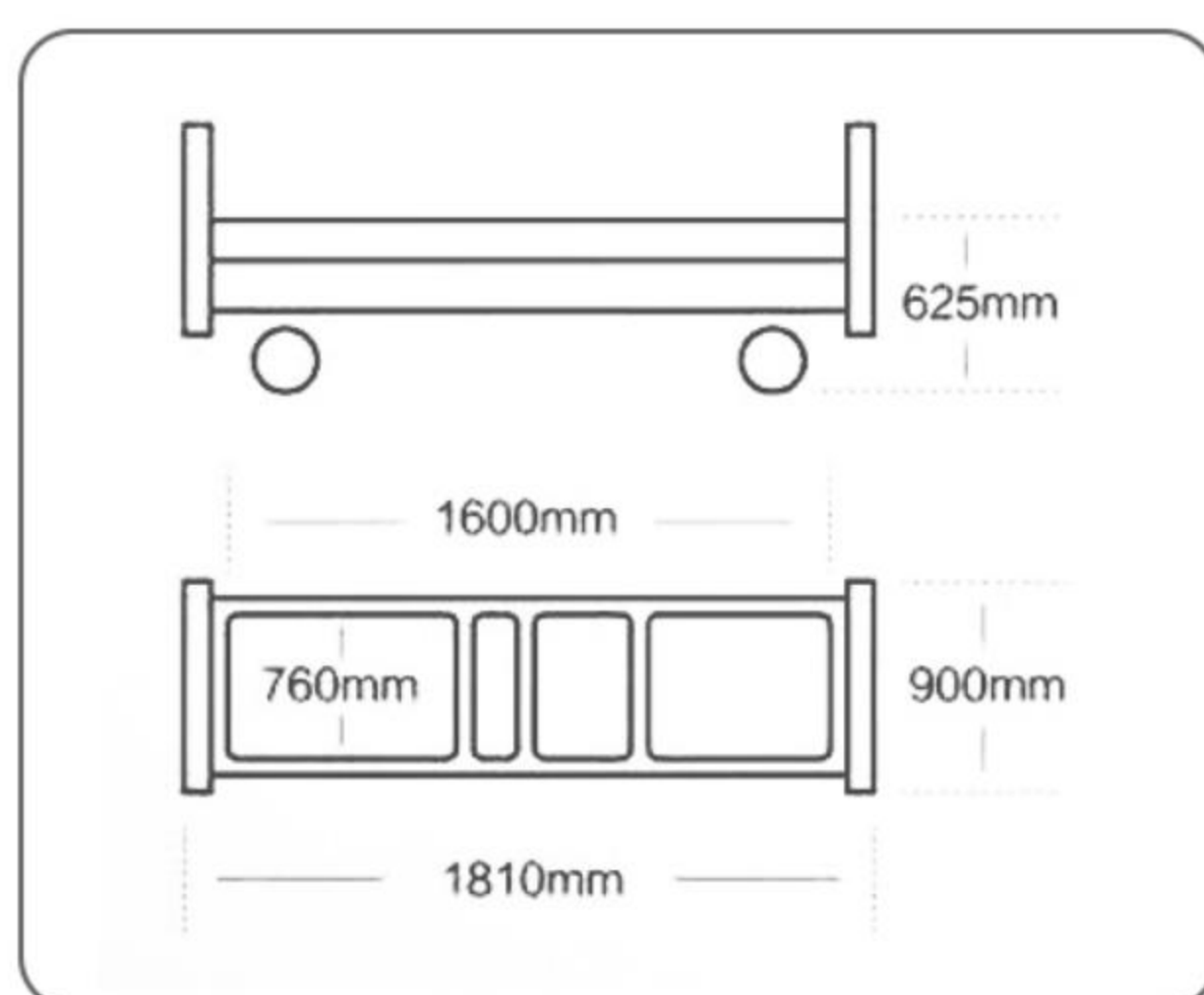


ORT-E011T

Flat Pediatric Bed

Main features

- Steel head/foot board with ABS decoration panel in the middle
- Full length aluminum alloy side rail
- MS perforated platform with ventilation hole, moulded
- Heavy duty caster, diameter of 125mm, with dust-proof cover, two with brake
- I.V. pole
- Urine bag hook

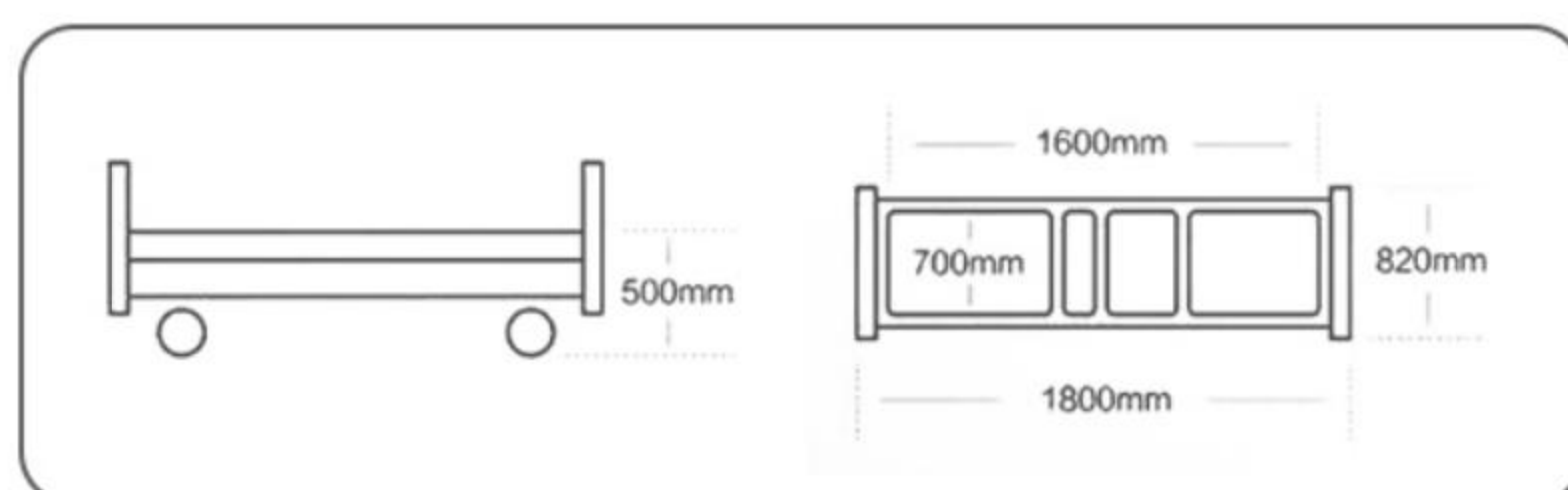


ORT-E131Z

Single Function Manual Pediatric Bed

Main features

- Aluminum alloy head/foot board, with ABS decoration panel in the middle, detachable
- Collapsible aluminum alloy side rail
- MS perforated platform with ventilation hole, moulded
- Foldable crank to avoid protruding outside
- Bumper on four corners
- I.V. pole
- Urine bag hook
- Shoe shelf



ORT-Y068L

Luxurious Baby Cart

Main features

- High density and transparent basin
- Height&tilt function adjustable by gas spring
- With music player,weighing function, atmosphere temperature
- Luxurious casters, two with brake
- With mattress
- Color optional in blue or green

Specification

- Size: L850*W500*H780-980mm
- Trendelenburg&reverse trendlenburg: 0-15°
- Caster diameter: 100mm
- Max weight scale: 20kg
- Environment condition: -10℃-40℃



ORT-Y018L(I)

Baby Cart

Main features

- High density and transparent basin
- Metal frame
- Tilt adjustable by gas spring
- Luxurious casters, two with brake
- With mattress
- Utility basket on foot base

Specification

- Size: L810*W520*H940mm
- Trendelenburg: 0-10°





ORT-E145T

Manual Pediatric Bed



Main Features

- Stainless steel frame
- Metal sleeping platform
- Foldable chrome painting single crank
- Four casters, two with brake
- Adjustable side rail

Specification

- Overall size: L1420*W820*H790mm
- Inner size: L1335*W750*H450mm
- Side rail height: 220mm



ORT-Y018L(II)

Baby Cart

Main Features

- High density transparent basin
- Whole stainless steel frame
- With one drawer
- With one basket

Specification

- Size: L850*W500*H980mm



ORT-Y046Z

Baby Dressing Table

Main Features

- Stainless steel construction
- Cushioned with foam mattress, PU cover, waterproof
- Metal shelf in the lower part

Specification

- Size: L1185*W680*H895mm



ORT-Y045T

Baby Cart

Main Features

- Whole stainless steel frame
- Caster with 80mm diameter, two with brake
- Side rail sliding up and down from one side
- I.V. pole

Specification

- Size: 850*460*970mm



ORTOTECSA

ORTOTECSA,S.L.

C/.Peña de Francia,8 (28500) Arganda del Rey
MADRID (España)

Web: www.ortotecsa.com

E-mail: info@ortotecsa.com