

ORTTECSA

MANUFACTURERS SINCE 1979

MANUFACTURERS SINCE 1979

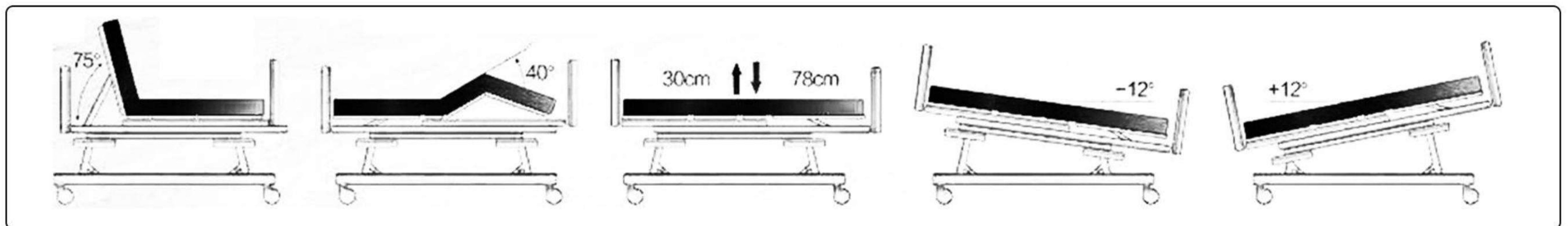
# VIP BED SERIES





# ORT-D5618K-N2

Five Function Electric Bed



**Main Features:**

- Bed various positions achieved by three motors
- High strength steel frame with epoxy coating.
- Moulding MS perforated platform with ventilation hole
- Solid wood head & foot board, detachable
- Solid wood bed side board
- Four pieces deluxe aluminum alloy side rail

- Three height adjustable
- Heavy duty caster , dual sides with diameter of 125mm
- Central brake for four wheels
- (ACP) LCD screen nurse controller on bed end
- I.V. pole
- Urine bag hook
- Battery backup function

**Functions:**

- 1.Height adjustment: 350-780mm
- 2.Backrest lifting angle: 0° to 75°
- 3.Kneerest lifting angle: 0° to 45°

- 4.Lateral Tilt Left 0-15°
- 5.Lateral Tilt Right 0-15°
6. Loading capacity: 250kg



# ORT-D5618K-N1

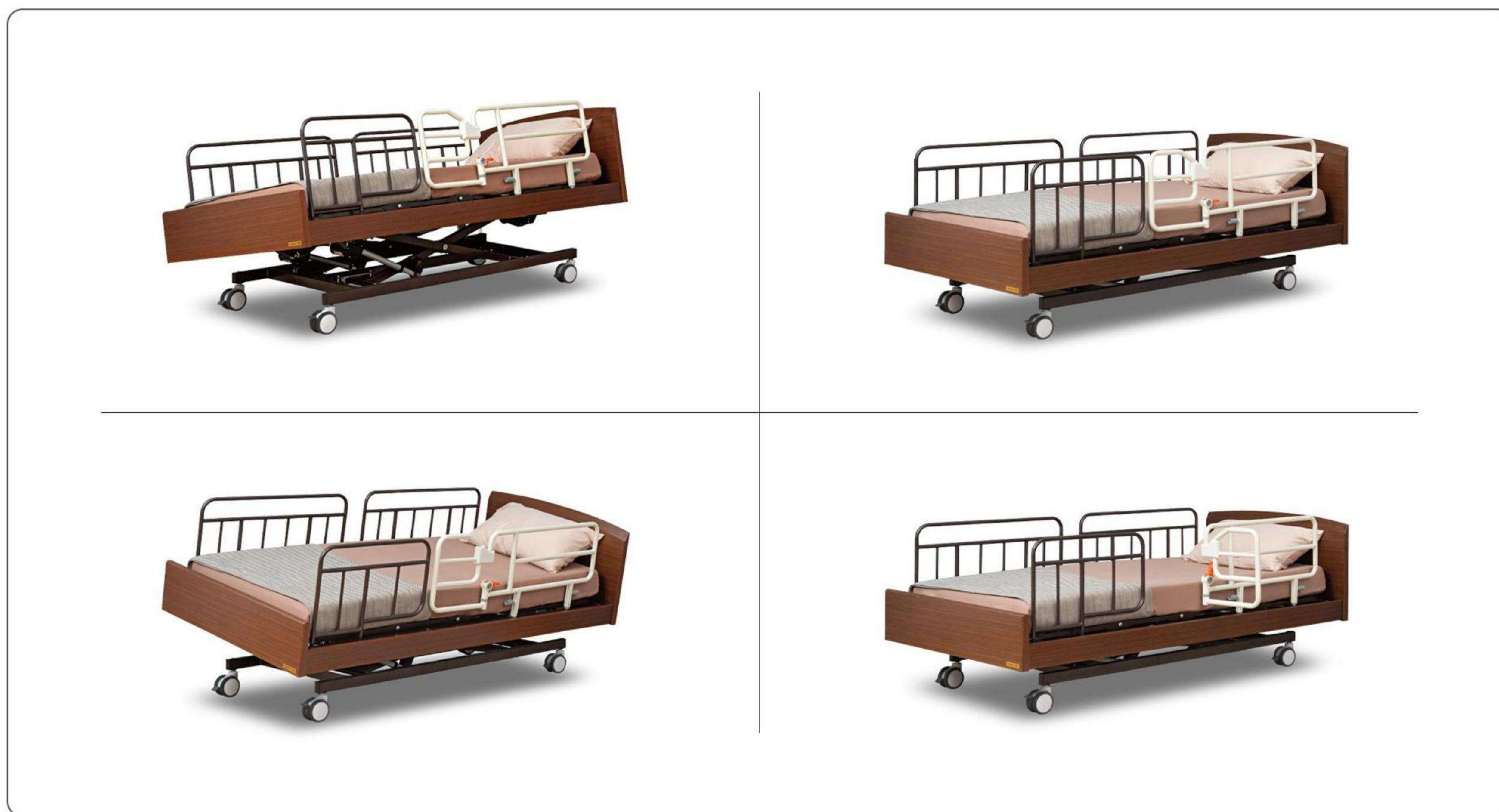
Five Function Electric Bed





# ORT-D3611L-N5T

Five Function Extra Low Electric Bed

**Main Features:**

High strength steel bed frame with epoxy coated.  
 Moulded MS steel platform with ventilation hole,  
 Solid wood head & foot board, detachable  
 Solid wood bed side board  
 One piece rotatable stainless steel side rail  
 Three pieces stainless steel side rail  
 Heavy duty caster , dual sides with diameter of 75mm ,  
 Two wheels with brake  
 I.V. pole 2 set  
 Battery backup

**Main Functions:**

Backrest max upward angle: 70°  
 Footrest max upward angle: 30°  
 Height adjustable: 310-700mm  
 Lateral Tilt Left 0-20°  
 Lateral Tilt Right 0-20°



# ORT-D3611L-N2

Three Function Extra Low Electric Nursing Bed



## ORT-D3611L-N2 (I)

Three Function Extra Low Electric Nursing Bed



### Main Features:

- Bed various positions achieved by three motors
- High strength steel bed frame with epoxy coated.
- Moulded MS steel platform with ventilation hole,
- Solid wood head & foot board, detachable
- Solid wood bed side board
- Collapsible aluminum alloy side rail, one piece
- Rotatable mental side rail, one piece
- Three height adjustable
- Battery backup
- Hand remote wired controller
- Heavy duty caster , dual sides with diameter of 125mm,
- Two wheels with brake
- I.V. pole

### Functions:

- Backrest max upward angle: 75°
- Footrest max upward angle: 40°
- Height adjustable: 280-620mm



# ORT-D3611W

## Three Function Electric Nursing Bed

**Main Functions:**

Backrest max upward angle: 75°  
Footrest max upward angle: 40°  
Height adjustable: 320-670mm

**Main Features:**

Bed various positions achieved by three motors  
High strength steel bed frame with epoxy coated.  
Moulded MS steel platform with ventilation hole,  
Solid wood head & foot board, detachable  
Solid wood bed side board  
Collapsible aluminum alloy side rail, four pieces  
Battery backup  
Hand remote wired controller  
Heavy duty caster, dual sides  
Central brake system  
I.V. pole





# ORT-D3611L-N2

## Three Function Extra Low Electric Nursing Bed



### Functions:

Backrest max upward angle: 75°  
Footrest max upward angle: 40°  
Height adjustable: 280-620mm  
Auto-counter function

### Main Features:

Bed various positions achieved by three motors  
High strength steel bed frame with epoxy coated.  
Moulded MS steel platform with ventilation hole,  
ABS head/foot board, detachable with storage box  
Two pcs collapsible aluminum alloy side rail  
Bumper on four corners  
Hand remote wired controller  
Heavy duty caster , dual sides with diameter of 125mm ,  
Two wheels with brake  
I.V. pole , Urine bag hook

# ORT-D3611L-N7

## Three Function Electric Nursing Bed



### Functions:

Backrest max upward angle: 75°  
Footrest max upward angle: 40°  
Height adjustable: 380-650mm

### Main Features:

Bed various positions achieved by three motors  
High strength steel bed frame with epoxy coated.  
Moulded MS steel platform with ventilation hole,  
ABS head/foot board, detachable  
Four pieces collapsible aluminum alloy side rail  
Hand remote wired controller  
Heavy duty caster , dual sides with diameter of 125mm ,  
Central brake system  
Urine bag hook



# ORT-D5011L

Electric Rotating Nursing Chair Bed

**Main Functions:**

Backrest max upward angle: 70°  
 Footrest max upward angle: 25°  
 Seat position turn right: 90°  
 Seat position turn left: 90°  
 Auto-counter function  
 One bottom rotating chair position for convenient leaving function

**Main Features:**

High strength steel bed frame with epoxy coated.  
 Moulded MS steel platform with ventilation hole,  
 Solid wood head & foot board, detachable  
 Solid wood bed side board  
 Collapsible mental side rail, two pieces  
 Battery backup  
 Hand remote wired controller  
 Heavy duty caster, dual sides  
 Central brake system  
 I.V. pole



# ORT-D3119J

## Three Function Electric Physiotherapy Bed



### Functions:

Backrest max upward angle: 75°  
Footrest max upward angle: 30°  
Auto-counter function  
Stand up angle: 75°

### Main Features:

Bed various positions achieved by three motors  
High strength steel bed frame with epoxy coated.  
Moulded MS steel platform with ventilation hole,  
Solid wood head & foot board, detachable  
Collapsible mental side rail, two pieces  
Battery backup  
Hand remote wired controller  
Heavy duty caster, dual sides  
Central brake system  
I.V. pole





# ORT-D4311L

## Electric Turning Bed

**Main Features:**

Bed various positions achieved by three motors  
High strength steel bed frame with epoxy coated.  
With mesh style sleeping platform best for air permeability  
Electrophoresis and powder coating  
With turning function of platform movement  
ABS head/foot board, detachable Two pcs collapsible aluminum alloy side rail  
Hand remote wired controller hanging on the rails  
Heavy duty caster , dual sides with diameter of 125mm ,  
Central brake system  
I.V. pole ,  
Urine bag hook  
Shoe shelf  
Battery backup

**Functions:**

Backrest max upward angle: 75°  
Footrest max upward angle: 40°  
Height adjustable: 540-815mm  
Left tilt and right tilt from 0° to 25°



# ORT-D6011K-C1

Electric Home Care Turn-over Bed with Bedpan



**Main Functions:**

Backrest max upward angle:70°  
Leg up: 0-25°  
Leg down: 0-70°  
Lateral Tilt Left 0-25°  
Lateral Tilt Right 0-25°

**Main Features:**

High strength steel bed frame with epoxy coated.  
Moulded MS steel platform with ventilation hole,  
Solid wood head & foot board, detachable  
Solid wood bed side board  
Collapsible mental side rail, two pieces

Battery backup  
Hand remote wired controller  
Heavy duty caster , dual sides  
Central brake system  
Bed pan  
I.V. pole



# ORT-C301K

## Three Function Manual Nursing Bed

**Main Features:**

High strength steel bed frame with epoxy coated.  
Moulded MS steel platform with ventilation hole,  
Solid wood head & foot board, detachable  
Solid wood bed side board  
Collapsible aluminum alloy side rail  
Foldable crank to avoid protruding outside  
Heavy duty caster, dual sides with diameter of 125mm  
Central brake system  
I.V. pole  
Urine bag hook

**Main Functions:**

Backrest max upward angle: 75°  
Footrest max upward angle: 40°  
Height adjustable: 500-750mm



# ORT-C301K (V)

Three Function Manual Nursing Bed



**Main Functions:**

Backrest max upward angle: 75°  
Footrest max upward angle: 40°  
Height adjustable: 500-750mm

**Main Features:**

High strength steel bed frame with epoxy coated.  
Moulded MS steel platform with ventilation hole,  
Solid wood head & foot board, detachable  
Collapsible aluminum alloy side rail  
Foldable crank to avoid protruding outside  
Heavy duty caster , dual sides with diameter of 125mm  
Two wheels with brake  
I.V. pole  
Urine bag hook



## ORT-C201K-2

### Two Function Manual Nursing Bed



#### Main Features:

High strength steel bed frame with epoxy coated.  
Moulded MS steel platform with ventilation hole,  
Solid wood head & foot board, detachable  
Solid wood bed side board  
Collapsible aluminum alloy side rail  
Foldable crank to avoid protruding outside  
Heavy duty caster , dual sides with diameter of 125mm  
Central brake system  
I.V. pole  
Urine bag hook  
Shoe shelf

#### Functions:

Backrest max upward angle: 75°  
Footrest max upward angle: 40°

## ORT-C201K (II)

### Two Function Manual Nursing Bed



#### Main Features:

High strength steel bed frame with epoxy coated.  
Moulded MS steel platform with ventilation hole,  
Solid wood head & foot board, detachable  
Solid wood bed side board  
Collapsible aluminum alloy side rail  
Foldable crank to avoid protruding outside  
Heavy duty caster , dual sides with diameter of 125mm  
Central brake system  
I.V. pole  
Urine bag hook  
Shoe shelf

#### Functions:

Backrest max upward angle: 75°  
Footrest max upward angle: 40°



# ORT-C201K (V)

## Two Function Manual Nursing Bed



### Main Features:

- High strength steel bed frame with epoxy coated.
- Moulded MS perforated platform with ventilation hole
- Solid wood head & foot board, detachable
- Solid wood bed side board
- Full-length wood side rail
- Three height adjustable
- Foldable crank to avoid protruding outside
- Heavy duty caster, dual sides with diameter of 125mm
- Central brake system
- I.V. pole
- Urine bag hook

### Functions:

- Backrest max upward angle: 75°
- Footrest max upward angle: 40°

# ORT-D6011K

## Electric Home Care Turn-over Bed with Bedpan



### Main Functions:

- Backrest max upward angle: 70°
- Leg up: 0-25°
- Leg down: 0-70°

### Main Features:

- High strength steel bed frame with epoxy coated.
- Moulded MS steel platform with ventilation hole,
- ABS head/foot board, detachable
- Collapsible mental side rail, two pieces
- Chrome painting foldable crank to avoid protruding outside
- Heavy duty caster, dual sides
- Two wheels with brake
- Bed pan
- I.V. pole



# ORT-C211K

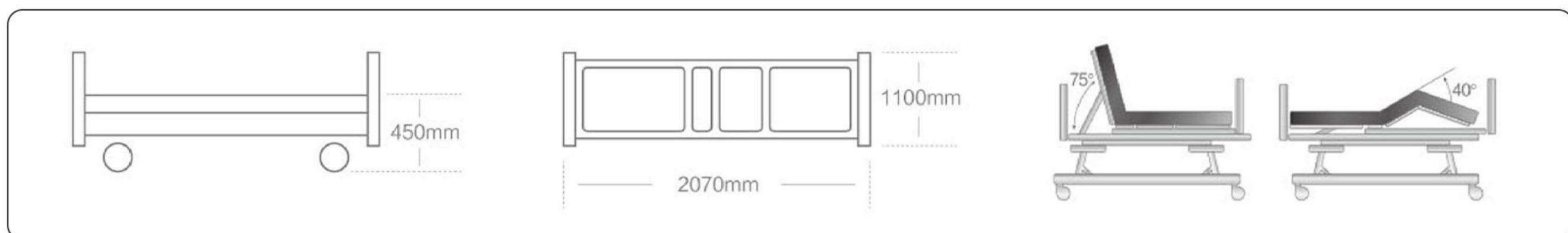
## Two Function Manual Nursing Bed

**Main Functions:**

Backrest max upward angle: 75°  
Footrest max upward angle: 40°

**Main Features:**

High strength steel bed frame with epoxy coated.  
Moulded MS perforated platform with ventilation hole  
Solid wood head & foot board, detachable  
Solid wood bed side board  
Full-length wood side rail with height adjustable  
Foldable crank to avoid protruding outside  
Heavy duty caster, dual sides with diameter of 125mm  
Central brake system







# ORTOTEC莎

ORTOTEC莎,S.L.

C/.Peña de Francia,8 (28500) Arganda del Rey  
MADRID (España)

Web: [www.ortotecs莎.com](http://www.ortotecs莎.com)

E-mail: [info@ortotecs莎.com](mailto:info@ortotecs莎.com)